

ALSO AVAILABLE



FORD RANGER 2019+
GRILLE INTEGRATION KIT



VW AMAROK 2016+
GRILLE INTEGRATION KIT



TOYOTA HILUX 2021+
GRILLE INTEGRATION KIT



ISUZU D-MAX 2021+
FRONT GRILLE MOUNT KIT



TOYOTA HILUX
ROOF MOUNTING KIT



FORD RANGER / RAPTOR
ROOF MOUNTING KITS



FORD RAPTOR 2018+
LOWER GRILLE MOUNTING KIT



FORD RANGER 2016+
LOWER GRILLE MOUNTING KIT

WHAT'S INCLUDED

- 2x Grille Mounting Brackets
- 2x Cutter Guides
- Anti-Theft Fasteners & Key
- Fitting Instructions

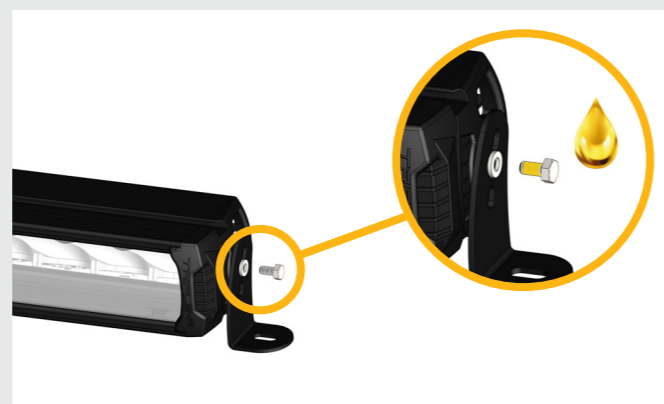
Additionally - Kit Includes:

- 1x High Performance LED Spotlights (Linear-24 Elite)
- 1x Single-Lamp Wiring Kit

TOOLS REQUIRED



! SIDE MOUNTING INFORMATION



LAZER
HIGH PERFORMANCE LIGHTING

WWW.LAZERLAMPS.COM

+44 (0)1992 677374
sales@lazerlamps.com

Lazer Lamps Ltd, Units 1&2 Harlow Mill Business Centre,
Riverway, Harlow, Essex. CM20 2FD. United Kingdom

MADE IN THE UK /LAZERLAMPS /LAZERLAMPS

LAZER
HIGH PERFORMANCE LIGHTING



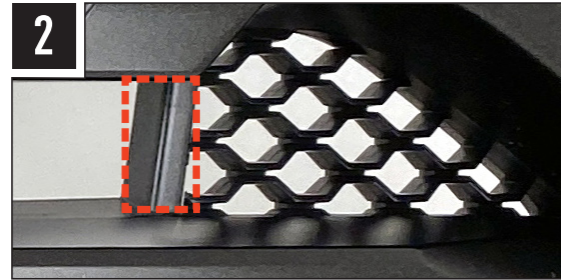
FORD RANGER RAPTOR 2018+

GRILLE INTEGRATION KIT

FITTING INSTRUCTIONS

INSTALLATION PROCESS

Install should be completed with the grille left on the vehicle.

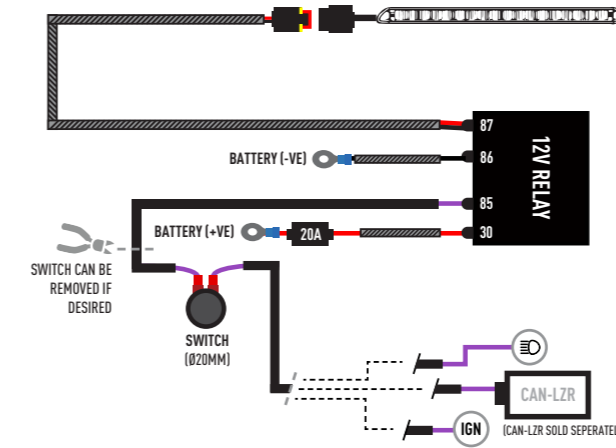


TORQUE VALUES



ELECTRICAL CONNECTION

LINEAR-24 ELITE



CANBUS INTEGRATION

For vehicles where it is not possible to locate a 12V high beam signal, it will be necessary to take the high beam signal from the vehicle's CAN system. For vehicle specific CAN instructions, please download the "CANM8 Connect" App.

