

UTILITY 25 MAXX

Measuring 80mm x 80mm, and capable of operating between 9-32V, the Utility-25 MAXX utilises highly efficient 6W LEDs from a world-leader in LED design and manufacture. Like all Lazer products, the colour temperature of the LEDs is carefully selected at 5000 kelvin to maximise sharpness and definition of the area ahead, without causing fatigue or strain which can come from using LEDs with a higher colour range. The vacuum-metallised optics harness the 4,560 raw lumens delivering a 78 degree spread (to 10% of peak intensity). The impressive lighting performance is maintained through the high thermal conductivity of the 'Matrix' cooling system which allows the lamp to be run at a higher drive current without compromising the longevity of the LEDs themselves.

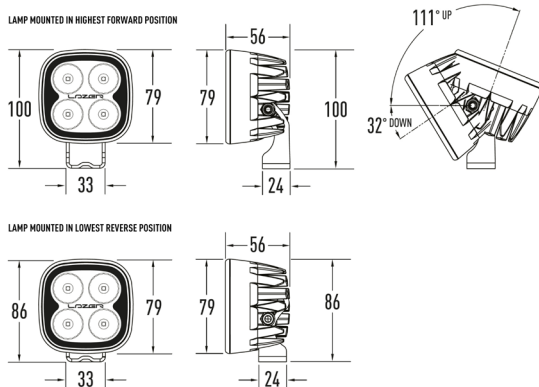


UTILITY 25 MAXX

- CAE optimised 'Matrix' cooling system
- Advanced optical design delivers superior lighting performance
- Electronic thermal management
- Certified IP67/IP69K watertight
- Automotive grade corrosion resistance (ISO 9927 / BS EN 60068)
- 5,000 kelvin light temperature for maximum definition
- EMC protected - CISPR 25: 2008 (Class 4) certified
- Over voltage protected
- Reverse polarity protected
- Male and female 2-pin Deutsch connectors included
- Made in Britain

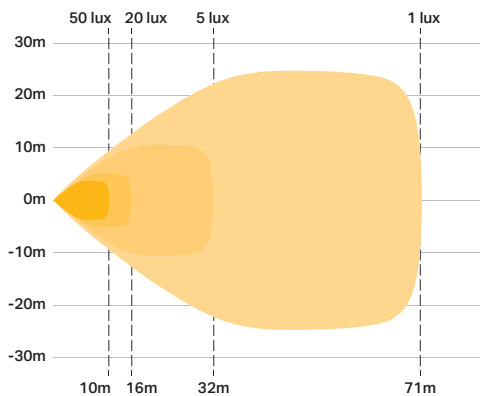


DIMENSIONS - measurements in mm.



PHOTOMETRIC DATA

50 Lux represents HSE guidelines for effective illumination when working outdoors at night.



LAMP SPECIFICATIONS

WEIGHT	360g
VOLTAGE RANGE	10-32V
RAW LUMENS	4560 LUMENS
COLOUR TEMPERATURE	5000 KELVIN
LED LIFE	50,000 HOURS
POWER CONSUMPTION	45 WATTS
CURRENT DRAW (14.4V)	3.1 AMPS
CONNECTOR	2-PIN DEUTSCH DT (+28CM CABLE)
BEAM ANGLE	78 DEGREES

CERTIFICATION

IP RATING	IP68 / IP69K
EMC CERTIFICATION	ECE REG 10
EMC PROTECTION	CISPR-25 (CLASS 4)
SALT SPRAY TEST	ISO 9227
DUMP LOAD PROTECTION	ISO 7637-2

