

LAZER

H I G H P E R F O R M A N C E L I G H T I N G



LICENCE PLATE MOUNT

FITTING INSTRUCTIONS

ANLEITUNG

INSTRUCTIONS

INSTRUCCIONES

TECHNICAL SUPPORT

aaron@lazerlamps.com / sales@lazerlamps.com
+44 (0)1992 945601 / +44 (0)1992 677374

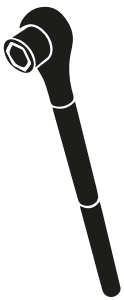
WHAT'S REQUIRED

- Lazer High Performance LED Light(s)
- Wiring Kit
- Licence Plate Mount (NPM03)
- Optional: 1x Lazer CAN interface (if your vehicle has LED headlights and you are unable to find a 12V signal from the highbeam headlight trigger).

DIFFICULTY LEVEL



TOOLS REQUIRED



**METRIC
SOCKET SET**



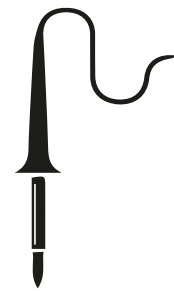
**WIRE STRIPPERS
AND RATCHET CRIMPERS**



WIRE CUTTERS



**TORX
SCREWDRIVER**



**SOLDERING
IRON**
(FOR CAN INTERFACE INSTALLATION)

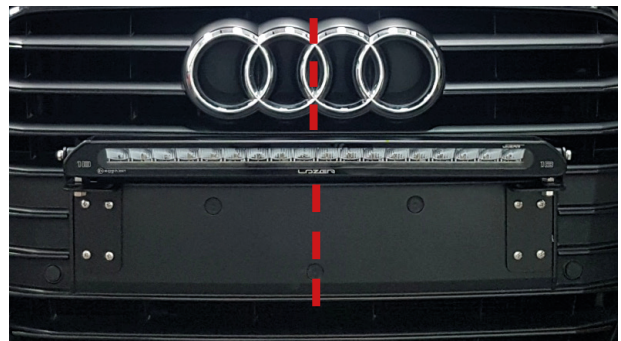
STEP 1 - PRE-INSTALLATION CHECKS

Ensure battery is disconnected.

STEP 3 - FITTING YOUR LAMP

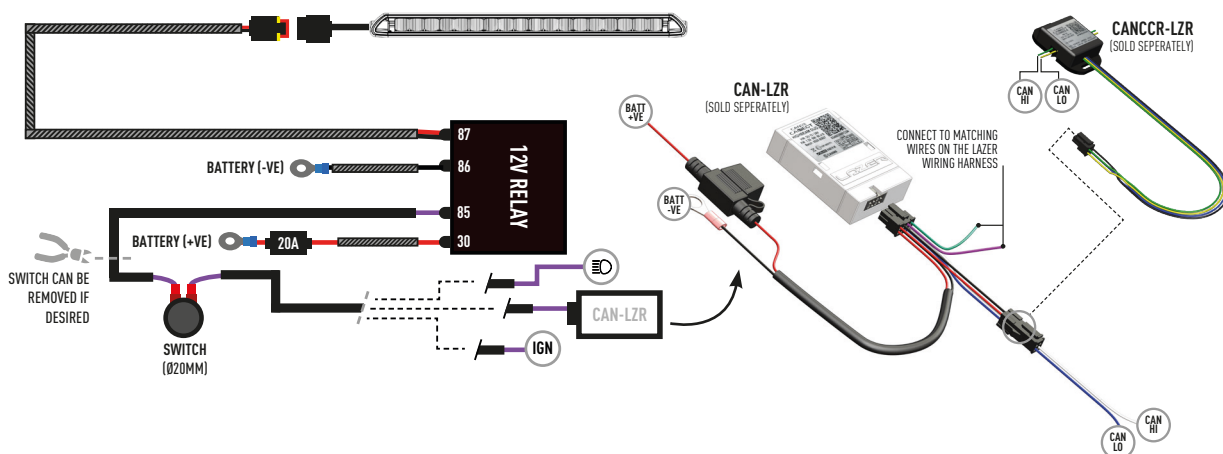
Using the included bolts, nuts and washers or self-tapping screws, secure the brackets and lamp to the licence plate holder on the vehicle, ensuring you are lining the centre of the lamp with the centre of the licence plate holder (if you are mounting a single lamp).

Self-tapping screws can be used on bumpers which are manufactured from a strong engineered material such as PC-ABS, however, in case of a Polypropylene bumper, it is recommended to use the supplied nuts, bolts and washers to secure the product.



STEP 4 - WIRING UP YOUR LAMP

Connect the Lazer wiring harness as shown below and mount the relay close to the battery:
 Test for a 12V signal at the back of the high beam headlight plug to identify if you will require a CAN Interface or not.



STEP 5 - TEST LIGHT

Ensure the light bar(s) are working correctly before re-assembling vehicle and re-connecting the battery.



LAZER
HIGH PERFORMANCE LIGHTING

WWW.LAZERLAMPS.COM

+44 (0)1992 677374
sales@lazerlamps.com

Lazer Lamps Ltd, Units 1&2 Harlow Mill Business Centre,
Riverway, Harlow, Essex. CM20 2FD. United Kingdom



MADE IN THE UK



/LAZERLAMPS



/LAZERLAMPS