

TRIPLE-R 850 ELITE

The iconic Triple-R range is upgraded for 2020/21. Borne out of extensive testing at the highest levels of professional track and rally motorsport, the Triple-R Elite represents the pinnacle of LED driving light technology. The best just got better, with the incorporation of the very latest high efficiency LED technologies, used in combination to deliver more distance illumination and more left/right spread of light, guaranteed to impress across all road or motorsport applications. Subtle styling updates have resulted in a clean contemporary design, with a more aggressive edge, to match the aesthetic design prevalent on modern vehicles.



SEE MORE. **GO FASTER.** GO SAFER.

TRIPLE-R 850 ELITE

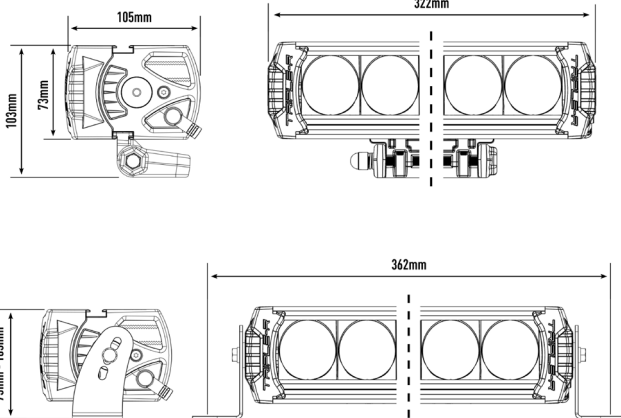
- Ultra long-range optics optimised for road and race applications
- High intensity LED's deliver exceptional luminosity and left/right spread
- Component technology shared with WRC lighting solutions
- CAE optimised heatsink
- Electronic thermal management
- 'Unbreakable' polycarbonate lens with hardcoat
- E-Boost technology

MOUNTING OPTIONS

CENTRE MOUNT



SIDE MOUNT - Sold seperately



E-MARK REF	17.5
VOLTAGE RANGE	10V - 32V
RAW LUMENS	8,068
BEAM PATTERN	Spot
BEAM DISTANCE (0.25LX)	1162
# HIGH POWER LEDS	6
POWER CONSUMPTION	73 Watts
CURRENT DRAW†	5.1 Amps
LED LIFE	50,000 Hrs*
WEIGHT	1340g

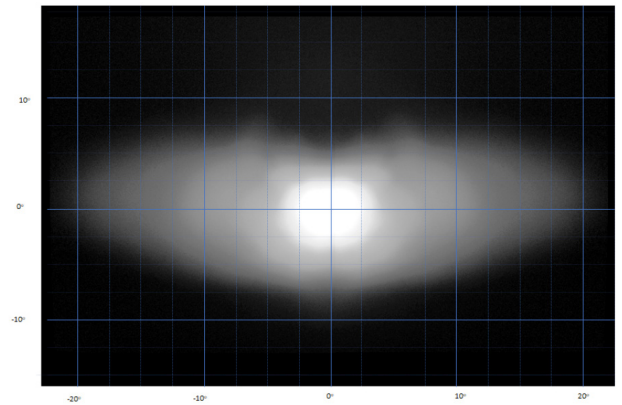
E9
APPROVED HEADLIGHT

IP67
WATERPROOF

5 YEAR
WARRANTY

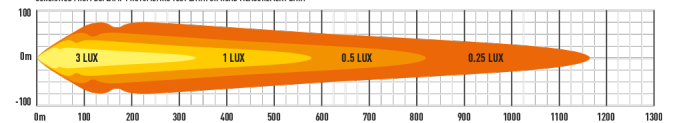
* LED Manufacturers Specifications †At 14.4 Volts

Horizontal: 42° / Vertical: 13° (2% of peak)



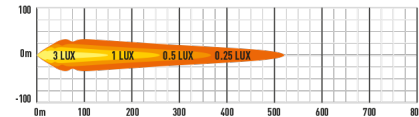
TRIPLE-R 850 ELITE (GEN 2)

GENERATED FROM BSI LAMP PHOTOMETRIC TEST DATA: ON ROAD MEASUREMENT DATA



TRIPLE-R 850 ELITE (GEN 2) - E-MARK COMPLIANT MODE

GENERATED FROM BSI LAMP PHOTOMETRIC TEST DATA: ON ROAD MEASUREMENT DATA



LAZER LAMPS LTD, Units 1+2, Harlow Mill Business Centre, Riverway, Harlow, Essex. CM20 2FD. UK
Tel: +44(0)1992 677374 | Email: sales@lazerlamps.com | Web: www.lazerlamps.com

