

ALSO AVAILABLE



LAND ROVER DEFENDER (2020+)
GRILLE INTEGRATION KIT



VW AMAROK V6 (2016+)
GRILLE INTEGRATION KIT



TOYOTA HILUX (2021+)
GRILLE INTEGRATION KIT



FORD RANGER (2019+)
GRILLE INTEGRATION KIT



ISUZU D-MAX (2021+)
BUMPER BEAM MOUNTING KIT



UNIVERSAL ROOF MOUNTING
WITH AND WITHOUT ROOF RAILS



CLIP-ON LENSES
AMBER AND REEDED LENSES



CAN INTERFACE
PLUS CONTACTLESS READER

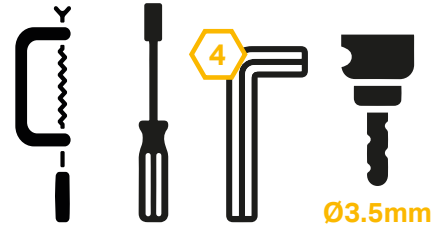
WHAT'S INCLUDED

- 4x Grille Mounting Brackets
- 4x Cutter Guides
- Anti-Theft Fasteners & Key
- Fitting Instructions

Additionally - Kit Includes:

- 2x High Performance LED Lights (Linear-6)
- 1x Two-Lamp Wiring Kit

TOOLS REQUIRED



SIDE MOUNTING INFORMATION

LAZER RECOMMENDS: LOCTITE 222



LAZER
HIGH PERFORMANCE LIGHTING

WWW.LAZERLAMPS.COM

+44 (0)1992 677374
sales@lazerlamps.com

Lazer Lamps Ltd, Calder House, Central Road,
Harlow, Essex. CM20 2ST. UK



MADE IN THE UK



/LAZERLAMPS



/LAZERLAMPS

LAZER
HIGH PERFORMANCE LIGHTING

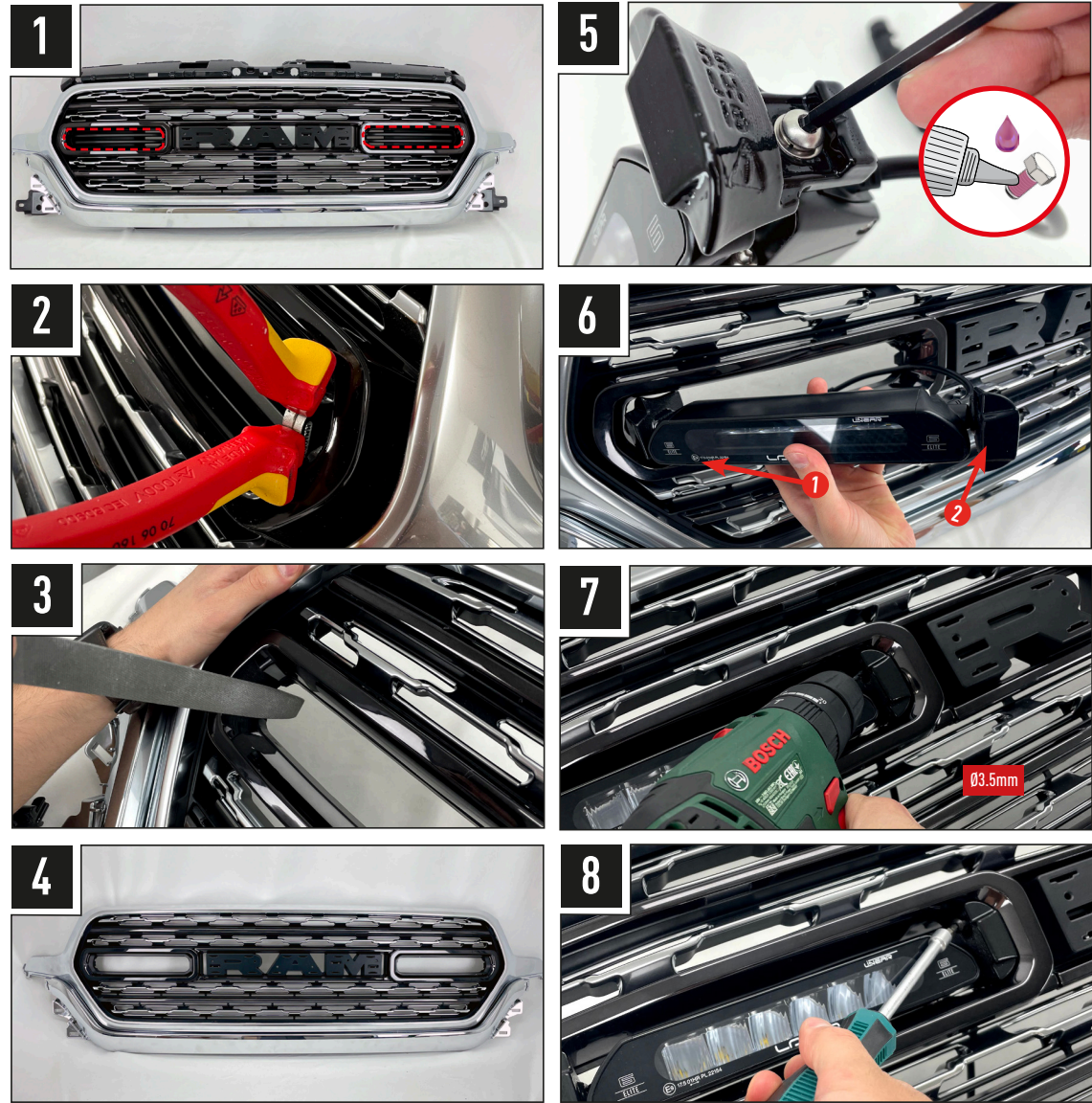


RAM 1500 DT LIMITED
(2019-2023)
GRILLE INTEGRATION KIT

FITTING INSTRUCTIONS

INSTALLATION PROCESS

Install should be completed with the grille left on the vehicle.

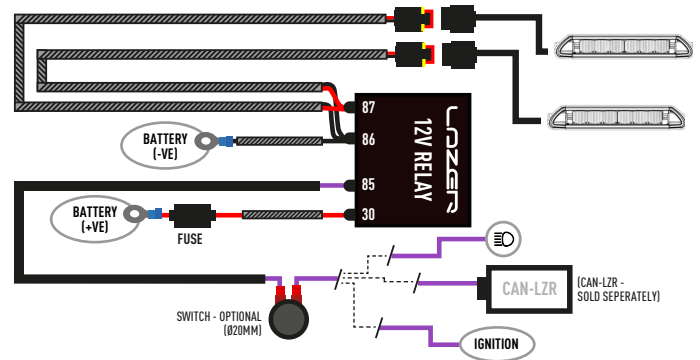


TORQUE VALUES

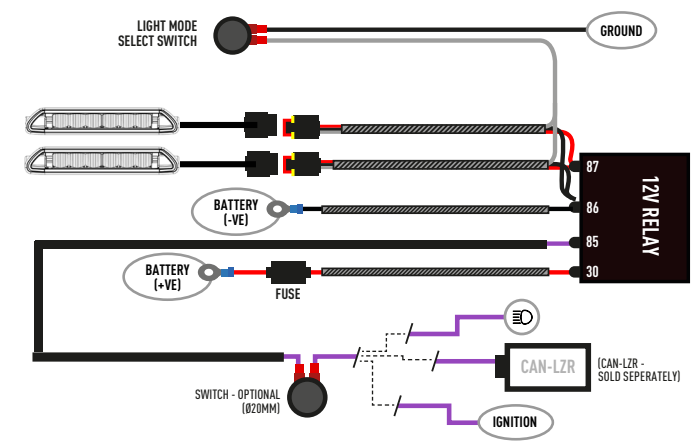


ELECTRICAL CONNECTION

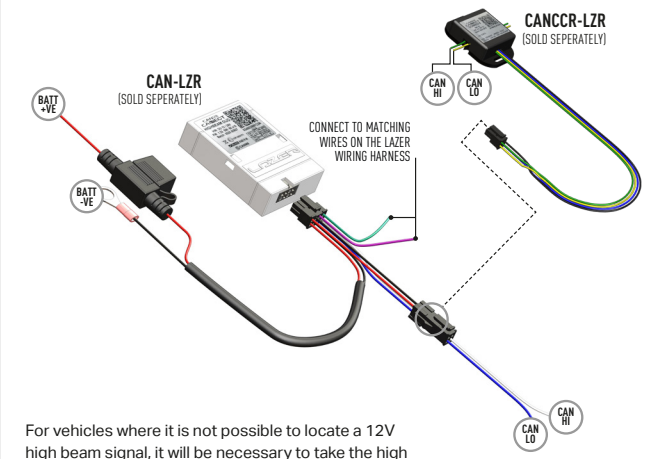
LINEAR-6 STANDARD OR ELITE



LINEAR-6 ELITE+



CANBUS INTEGRATION



For vehicles where it is not possible to locate a 12V high beam signal, it will be necessary to take the high beam signal from the vehicle's CAN system. For vehicle specific CAN instructions, please download the "CANM8 Connect" App.

