

# LAZER

H I G H P E R F O R M A N C E L I G H T I N G



## SINGLE LAMP MOUNTING KIT

---

**FITTING INSTRUCTIONS**

**ANLEITUNG**

**INSTRUCTIONS**

**INSTRUCCIONES**

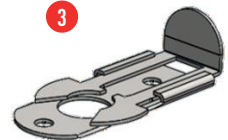
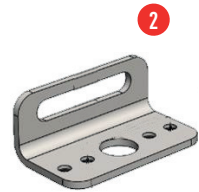
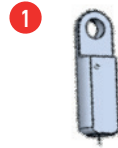
## WHAT'S INCLUDED

### PARTS

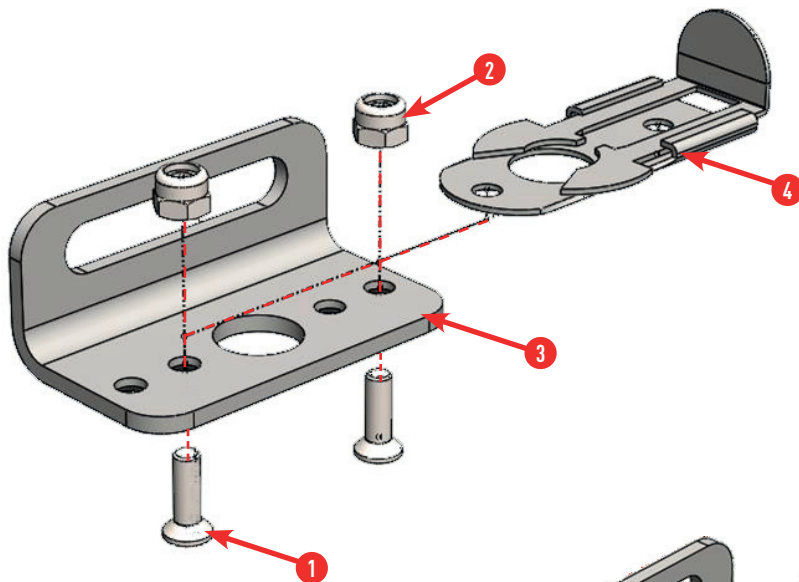
1. 8x ROD END
2. 4x DZUS BASE
3. 4x DZUS CONNECTOR
4. 4x DZUS CONNECTOR PIN

### FASTENERS

- 2x M6x70 STUD
- 2x M6x120 STUD
- 6x M6x20mm Bolt
- 4x M6 Nyloc Nut
- 8x M6 Hex Nut
- 2x M6x20 Washer
- 4x M6x12 Washer
- 8x M3x8 CSK Screw
- 8x M3 Nyloc Nut
- 4x M4x20 Screw
- 4x M4 Nyloc Nut
- 4x M4 Washer

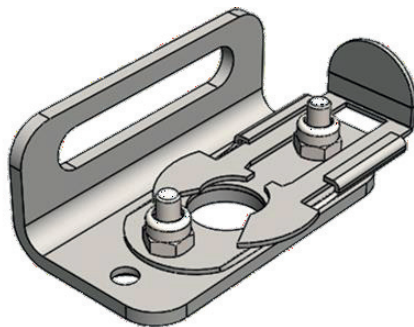


## **STEP 1: MOUNTING BASE ASSEMBLY**

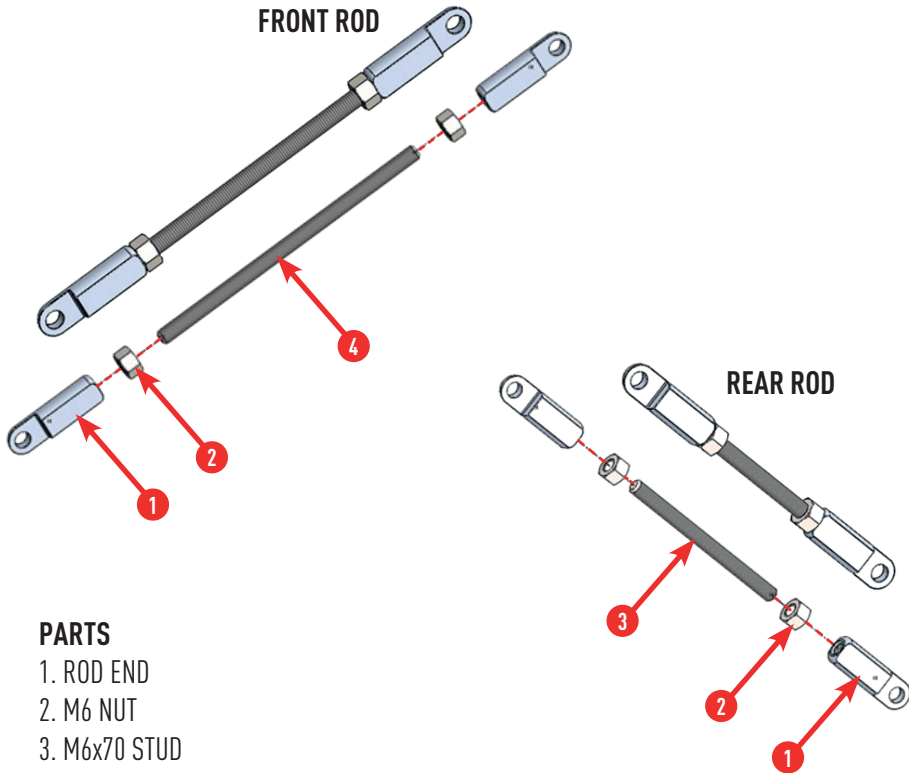


### **PARTS**

1. M3x8 CSK SCREW
2. M3 NYLOC NUT
3. DZUS BASE
4. DZUS CONNECTOR



## STEP 2: MOUNTING ROD ASSEMBLY



### PARTS

1. ROD END
2. M6 NUT
3. M6x70 STUD
4. M6x120 STUD

## **STEP 3: MOUNTING ARM ASSEMBLY**

### **PARTS**

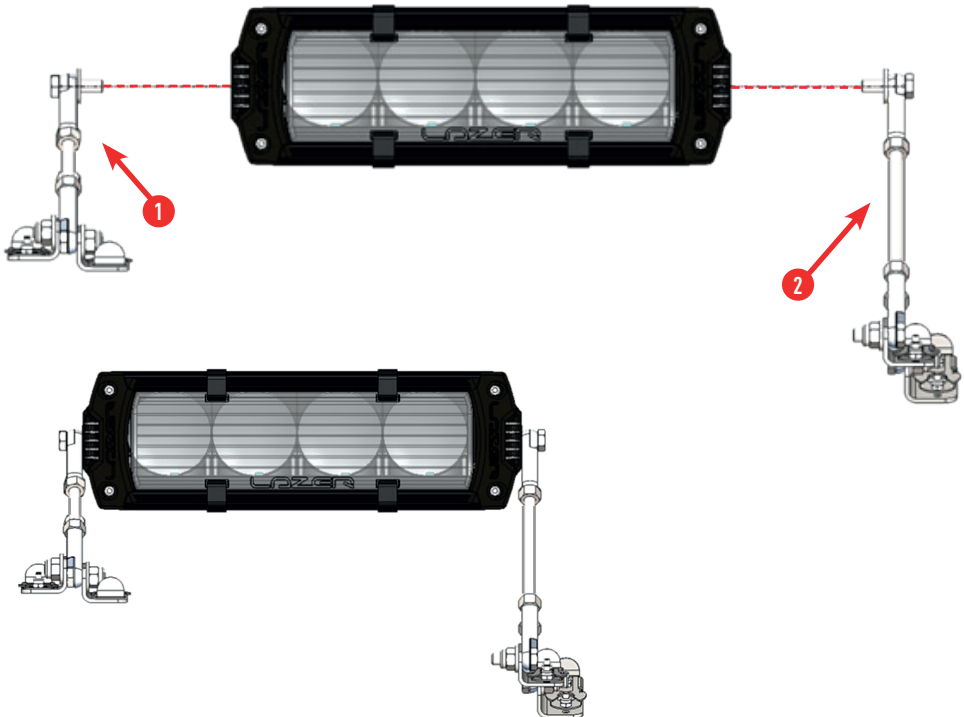
1. M6 NYLOC NUT
2. M6x20 PENNY WASHER
3. M6x12 WASHER
4. M6x20 HEX BOLT



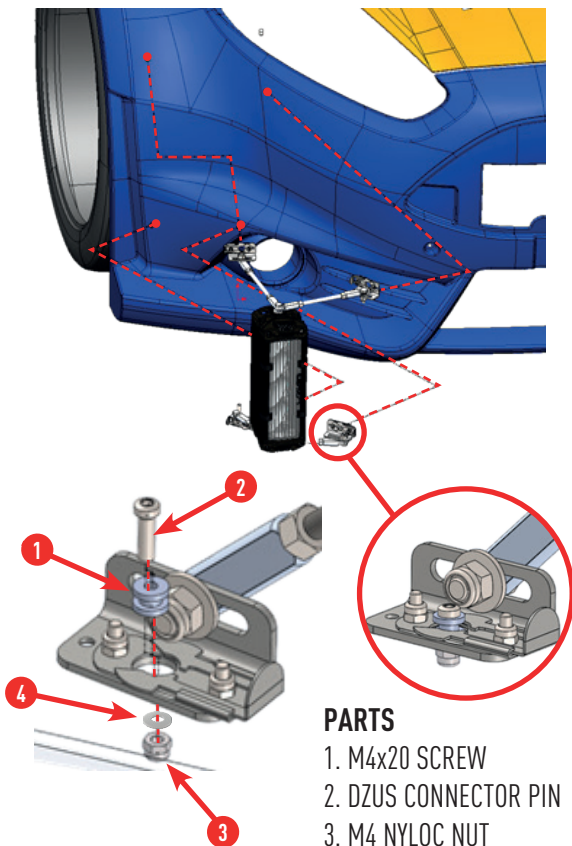
## STEP 4: FINAL ASSEMBLY

### PARTS

1. LEFT HAND MOUNTING ARM
2. RIGHT HAND MOUNTING ARM

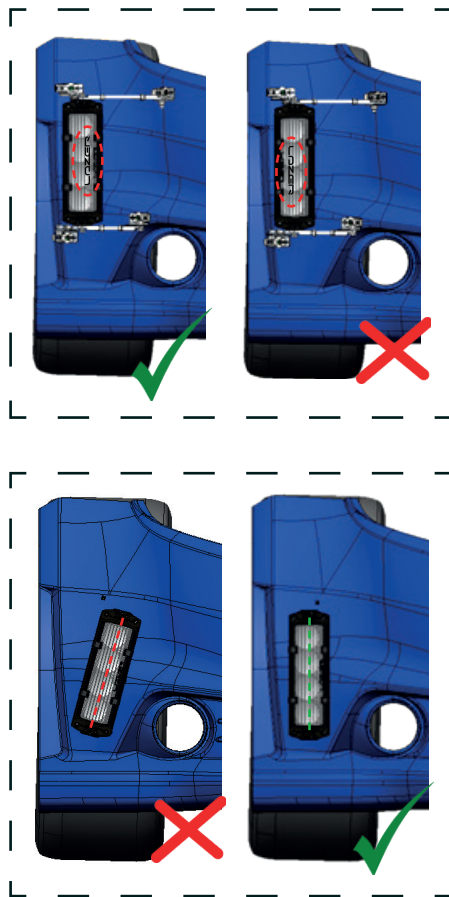


### STEP 3: VEHICLE INSTALL



#### PARTS

1. M4x20 SCREW
2. DZUS CONNECTOR PIN
3. M4 NYLOC NUT
4. M4 WASHER



**Thank you for choosing a Lazer Lamps product.**  
Vielen Dank dafür, dass Sie sich für ein Produkt von Lazer Lamps entschieden haben.  
Merci pour choisir un produit de Lazer Lamps.  
Gracias por la seleccion de productos de Lazer Lamps.

**LAZER**  
HIGH PERFORMANCE LIGHTING

**T: +44 (0)1992 677374**

**E: SALES@LAZERLAMPS.COM**

**W: WWW.LAZERLAMPS.COM**

Lazer Lamps Ltd, Units 1&2 Harlow Mill Business Centre, Riverway, Harlow,  
Essex. CM20 2FD. United Kingdom



MADE IN THE UK



/LAZERLAMPS



/LAZERLAMPS