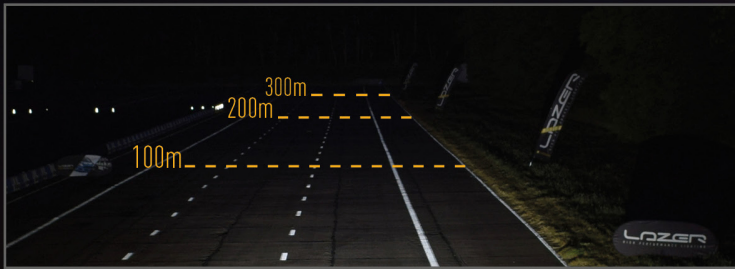


LAZER
HIGH PERFORMANCE LIGHTING

ST2

Now available as an ECE approved road-legal driving light, the ST2 Evolution is our smallest spotlight but still manages to deliver a noticeable upgrade when compared to standard vehicle high beam lighting. With useable light (0.25lux) extending to nearly 400m, size is no barrier to performance, and at a mere 124mm in length the ST2 becomes the obvious choice when space is at a premium, or for complimenting other forward-facing lighting solutions, where the lamps may be angled to achieve an overall greater spread of light.



1m



SEE MORE. **GO FASTER.** GO SAFER.

ST2 EVOLUTION

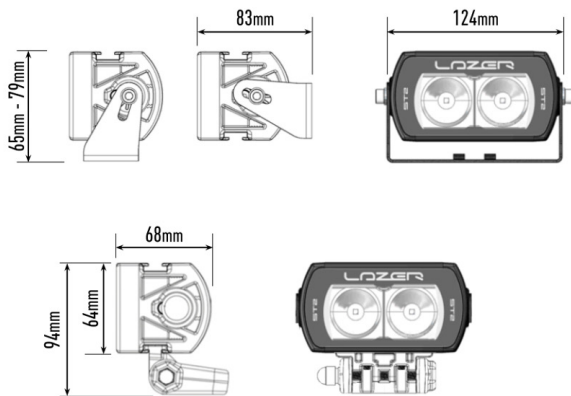
- 2x high density 11W LEDs (premium 'bin')
- Fully ECE approved for on-road use
- Supplied with 3mm folded aluminium U-shaped bracket
- Dynamic drive modulation optimises light output to maximise LED lifetime
- Ultra-reflective optics deliver 'Drive' beam pattern
- E-coat pre-treatment provides maximum corrosion resistance

MOUNTING OPTIONS

CENTRE MOUNT - Sold separately



SIDE MOUNT - Sold separately

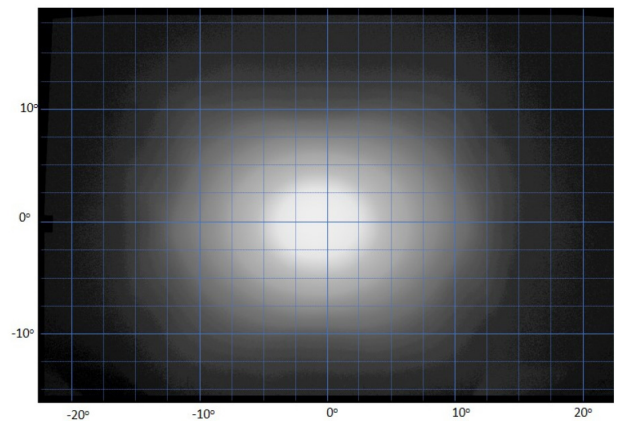


E-MARK REF	7.5
VOLTAGE RANGE	10V - 32V
RAW LUMENS	2068
BEAM PATTERN	Drive
BEAM DISTANCE (0.25LX)	393m
# HIGH POWER LEDS	2
POWER CONSUMPTION	23 Watts
CURRENT DRAW†	1.6 Amps
LED LIFE	50,000 Hrs*
WEIGHT	430g



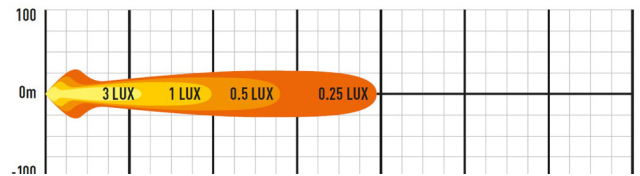
* LED Manufacturers Specifications †At 14.4 Volts

Horizontal: 28°



ST2

GENERATED FROM BSI LAMP PHOTOMETRIC TEST DATA: ON ROAD MEASUREMENT DATA



LAZER LAMPS LTD, Units 1+2, Harlow Mill Business Centre, Riverway, Harlow, Essex. CM20 2FD. UK
Tel: +44(0)1992 677374 | Email: sales@lazerlamps.com | Web: www.lazerlamps.com

