

T16

Delivering 16,544 lumens, the T16 Evolution is re-engineered and re-designed for 2017/8 to provide more light, better range, and increased spread of light, with the peace of mind that the build quality has been even further enhanced to ensure trouble-free operation for well beyond the standard 5year warranty. At 684mm, the lamp is ideal for customers looking for a low profile off-road lighting solution that still manages to pack real punch, or for road customers looking for a full-size grille install that works off an independent switch.



1m



SEE MORE. **GO FASTER.** GO SAFER.

T16 EVOLUTION

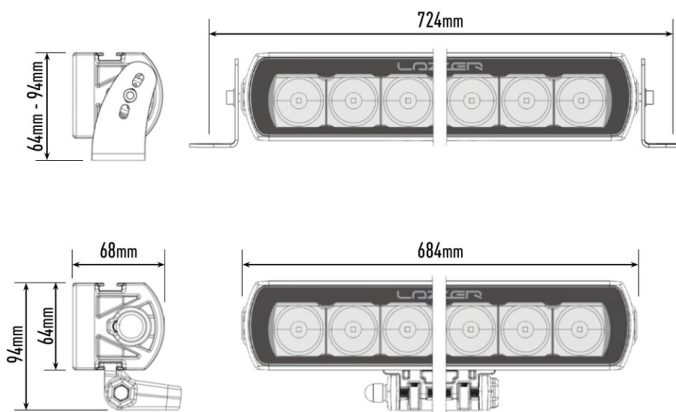
- 16x high density 11W LEDs (premium 'bin')
- Seamless, low profile design facilitates installation
- Dynamic drive modulation optimises light output to maximise LED lifetime
- Ultra-reflective optics deliver 'Drive' beam pattern
- E-coat pre-treatment provides maximum corrosion resistance
- Lifetime guarantee on the 'Unbreakable' polycarbonate lens

MOUNTING OPTIONS

CENTRE MOUNT - Sold separately



SIDE MOUNT - Sold separately

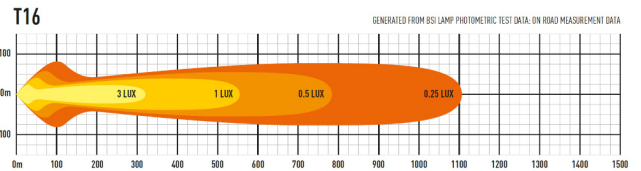
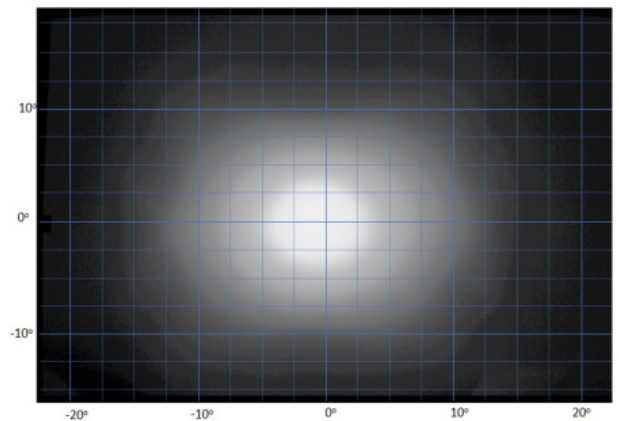


E-MARK REF	N/A
VOLTAGE RANGE	10V - 32V
RAW LUMENS	16544
BEAM PATTERN	Drive
BEAM DISTANCE (0.25LX)	1111m
# HIGH POWER LEDs	16
POWER CONSUMPTION	192 Watts
CURRENT DRAW†	13.4 Amps
LED LIFE	50,000 Hrs*
WEIGHT	2142g



* LED Manufacturers Specifications †At 14.4 Volts

Horizontal: 28°



LAZER LAMPS LTD, Units 1+2, Harlow Mill Business Centre, Riverway, Harlow, Essex. CM20 2FD. UK
Tel: +44(0)1992 677374 | Email: sales@lazerlamps.com | Web: www.lazerlamps.com

