

LAZER

HIGH PERFORMANCE LIGHTING



BOOMER SINGLE STRAIGHT MOUNTING KIT

FITTING INSTRUCTIONS

ANLEITUNG

INSTRUCTIONS

INSTRUCCIONES

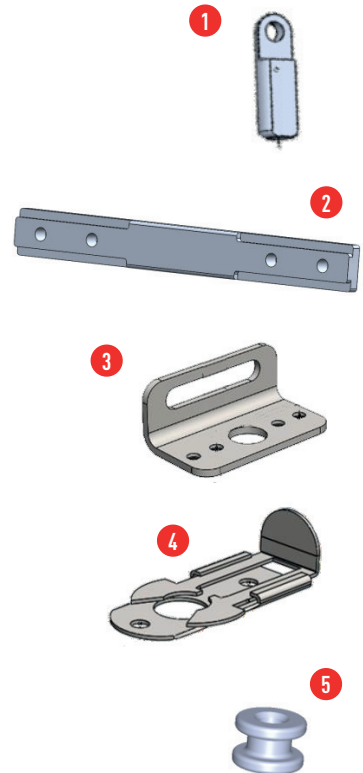
WHAT'S INCLUDED

PARTS

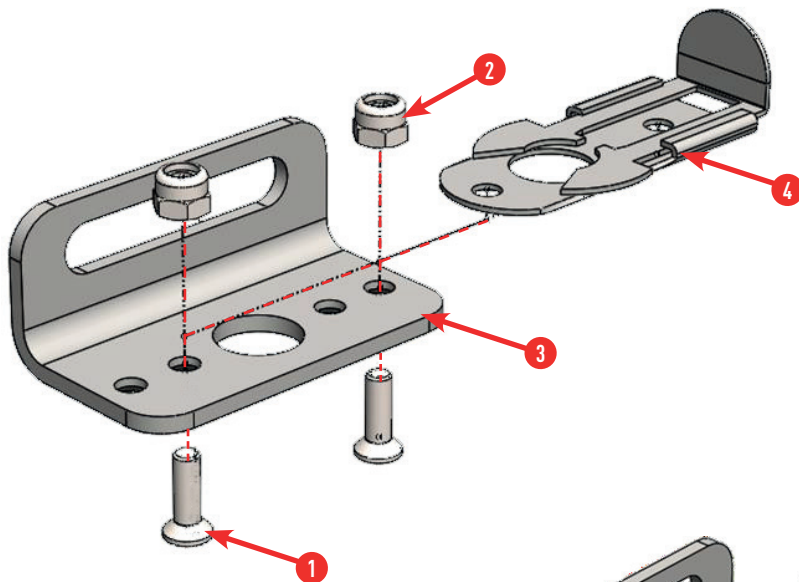
1. 8x ROD END
2. 2x STRAIGHT CONNECT
3. 4x DZUS BASE
4. 4x DZUS CONNECTOR
5. 4x DZUS CONNECTOR PIN

FASTENERS

- 2x M6x70 Stud
- 2x M6x120 Stud
- 6x M6x20mm Bolt
- 4x M6 Nyloc Nut
- 8x M6 Hex Nut
- 2x M6x20 Washer
- 4x M6x12 Washer
- 8x M3x8 CSK Screw
- 8x M3 Nyloc Nut
- 4x M4x20 Screw
- 4x M4 Nyloc Nut
- 4x M4 Washer
- 8x M5x6 Grub Screw

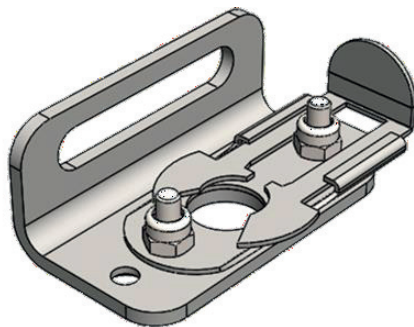


STEP 1: MOUNTING BASE ASSEMBLY

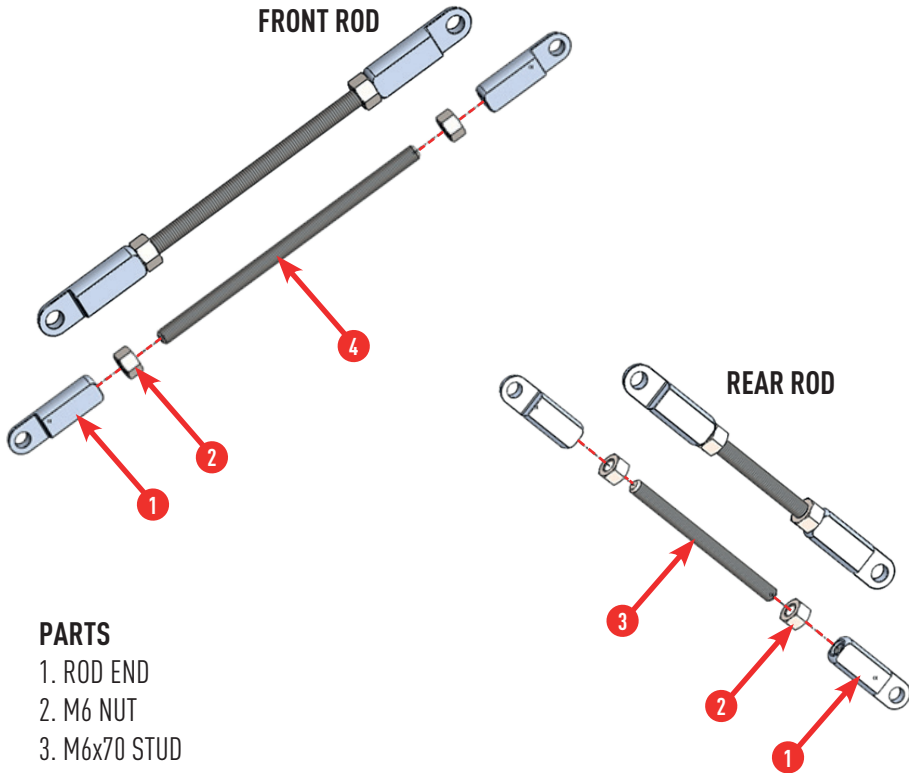


PARTS

1. M3x8 CSK SCREW
2. M3 NYLOC NUT
3. DZUS BASE
4. DZUS CONNECTOR



STEP 2: MOUNTING ROD ASSEMBLY



PARTS

1. ROD END
2. M6 NUT
3. M6x70 STUD
4. M6x120 STUD

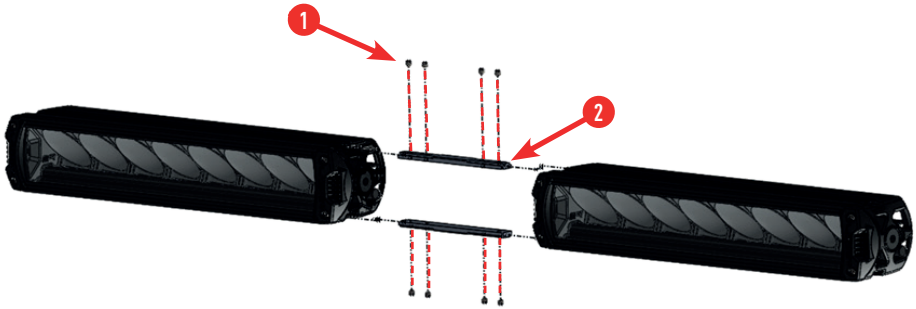
STEP 3: MOUNTING ARM ASSEMBLY

PARTS

1. M6 NYLOC NUT
2. M6x20 PENNY WASHER
3. M6x12 WASHER
4. M6x20 HEX BOLT



STEP 4: FINAL ASSEMBLY

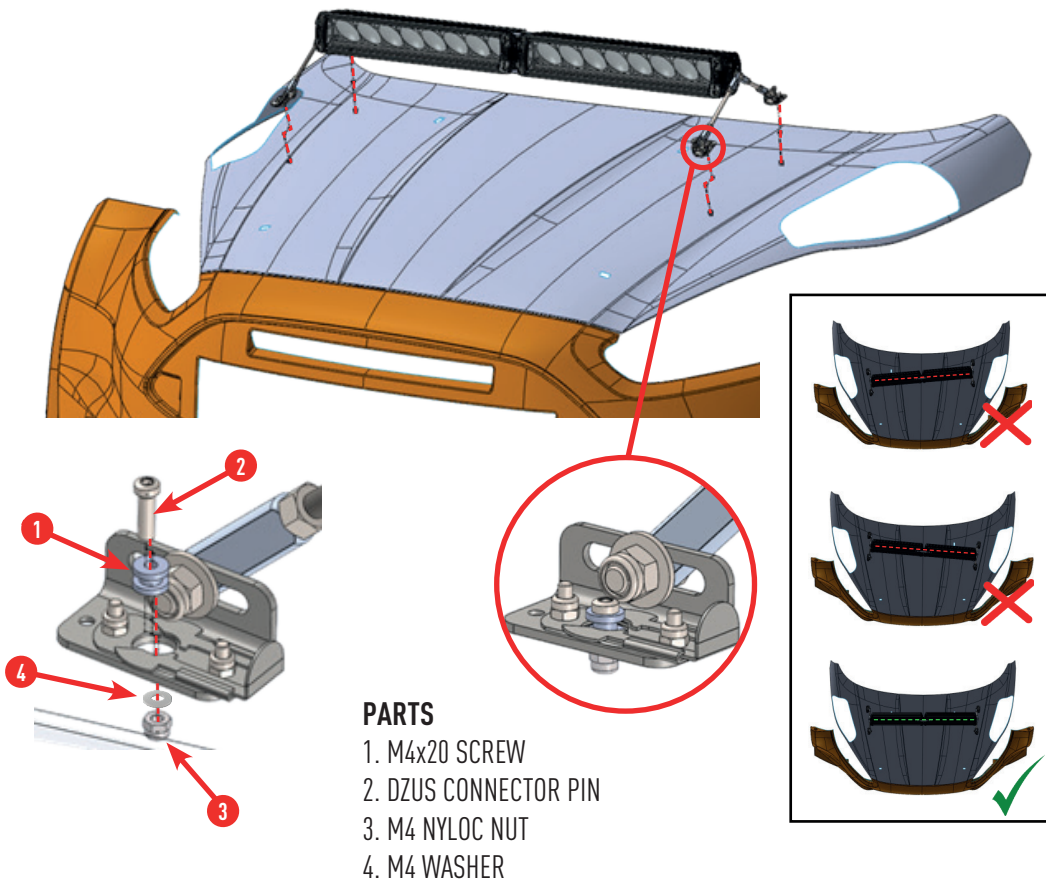


PARTS

1. M5x6 GRUB SCREW
2. STRAIGHT CONNECT
3. LEFT HAND MOUNTING ARM
4. RIGHT HAND MOUNTING ARM



STEP 3: VEHICLE INSTALL



Thank you for choosing a Lazer Lamps product.
Vielen Dank dafür, dass Sie sich für ein Produkt von Lazer Lamps entschieden haben.
Merci pour choisir un produit de Lazer Lamps.
Gracias por la seleccion de productos de Lazer Lamps.

LAZER
HIGH PERFORMANCE LIGHTING

T: +44 (0)1992 677374

E: SALES@LAZERLAMPS.COM

W: WWW.LAZERLAMPS.COM

Lazer Lamps Ltd, Units 1&2 Harlow Mill Business Centre, Riverway, Harlow,
Essex. CM20 2FD. United Kingdom



MADE IN THE UK



/LAZERLAMPS



/LAZERLAMPS