

ST12

An exciting addition to the ST range of road-legal driving lights, the ST12 Evolution at just under 21" is the ideal choice for people looking for either: the ultimate road-legal lighting solution, in the form of a pair of lamps mounted across a roof bar, or customers looking for a single light bar option which alone delivers 1 lux to just under 500m. Despite its impressive range, the spread and even distribution of light in the short and mid-range make the ST12 the premium choice for everyday road and off-road applications.



SEE MORE. **GO FASTER.** GO SAFER.

ST8 EVOLUTION

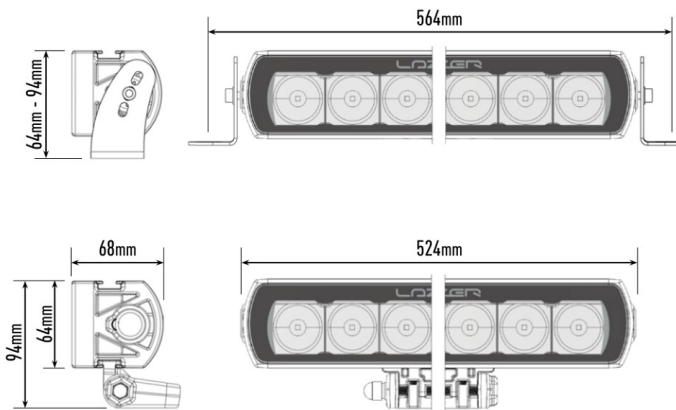
- 12x high density 11W LEDs (premium 'bin')
- Seamless, low profile design facilitates installation
- Dynamic drive modulation optimises light output to maximise LED lifetime
- Ultra-reflective optics deliver 'Drive' beam pattern
- E-coat pre-treatment provides maximum corrosion resistance

MOUNTING OPTIONS

CENTRE MOUNT - Sold separately



SIDE MOUNT - Sold separately

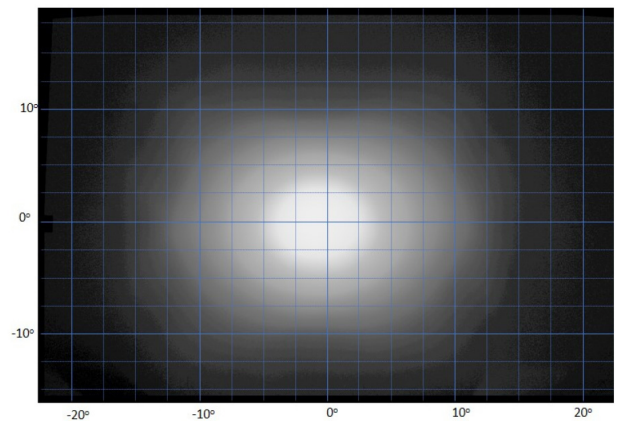


E-MARK REF	25
VOLTAGE RANGE	10V - 32V
RAW LUMENS	12408
BEAM PATTERN	Drive
BEAM DISTANCE (0.25LX)	962m
# HIGH POWER LEDS	12
POWER CONSUMPTION	144 Watts
CURRENT DRAW†	10 Amps
LED LIFE	50,000 Hrs*
WEIGHT	1634g

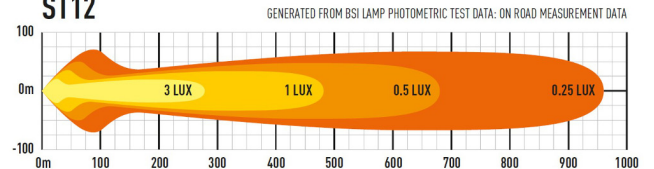


* LED Manufacturers Specifications †At 14.4 Volts

Horizontal: 28°



ST12



LAZER LAMPS LTD, Units 1+2, Harlow Mill Business Centre, Riverway, Harlow, Essex. CM20 2FD. UK
Tel: +44(0)1992 677374 | Email: sales@lazerlamps.com | Web: www.lazerlamps.com

