

SENTINEL 7" STANDARD

The Sentinel range of round LED driving lights now comprises 7-inch versions available in Standard and Elite grades. The lights deliver remarkable high beam lighting performance, and product styling that exudes quality. Boasting a true 'combo' beam pattern, the central rows of LEDs and optics deliver the long-range illumination, while the upper and lower sections have been meticulously designed and engineered to produce an enviable 60 degrees wide spread of light.



SENTINEL 7" STANDARD

- Combination of 12 premium 'bin' LEDs
- Black or Chrome internal appearance available
- 5000K LED colour temperature and 80CRI maximises sharpness and definition
- Ultra-reflective vacuum-metallised spot and wide optics
- UNECE Reg 112 Class B Driving Light, approved for on-road high beam (E-Boost technology) and Reg 7 position/side light function (white only)
- Contemporary lamp design
- Supplied with 'slim' diecast aluminium mounting bracket featuring Sentinel stamp
- Electronic thermal management system optimises light output to preserve longevity of the LEDs
- Anodised pre-treatment and automotive grade powder top-coat for ultimate corrosion and chemical protection
- CAE optimised heatsink offers improved thermal dynamics
- Over voltage protected
- Reverse polarity protected
- 'Unbreakable' polycarbonate lens with hardcoat lacquer
- A2 stainless steel fasteners with automotive grade black coating
- UNECE approved Reg 10
- IP68 watertight – 1.5m submersion (30mins)
- 5-year warranty
- Supplied with pre-wired male/female 2-pin Superseal connectors
- Designed & manufactured in UK

E-MARK REF	12.5
VOLTAGE RANGE	10V - 32V
RAW LUMENS	5,208
BEAM PATTERN	Combo
BEAM DISTANCE (0.25LX)	1217m
# HIGH POWER LEDs	12
POWER CONSUMPTION	62 Watts
CURRENT DRAW†	4.3 Amps
LED LIFE	50,000 Hrs*
WEIGHT	1500g

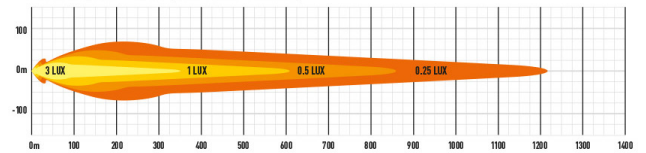


* LED Manufacturers Specifications †At 14.4 Volts

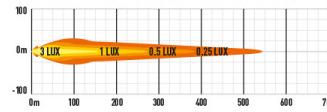
T +44 (0) 1992 677374
E sales@lazerlamps.com

Lazer Lamps Ltd, Units 1-2, Harlow Mill Business Centre,
Riverway, Harlow, Essex CM20 2FD, United Kingdom

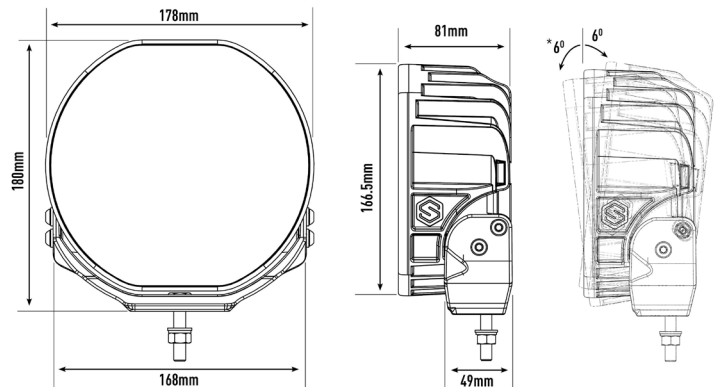
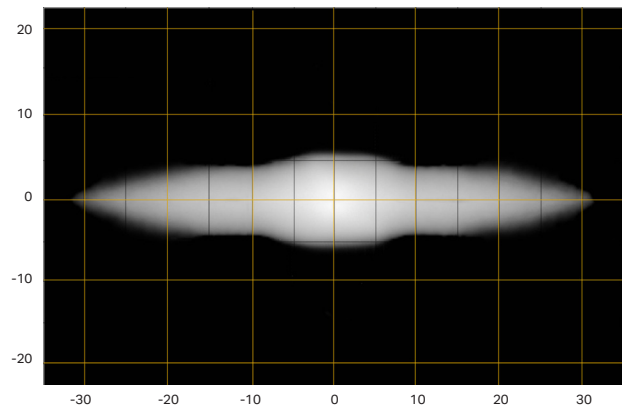
SENTINEL 7" STD (E-BOOST MODE)



SENTINEL 7" STD (E-MARK MODE)



Horizontal: 60° / Vertical: 12° (2% of peak)



Lamp suitable for horizontal or vertical mounting positions

