

SENTINEL 7" ELITE

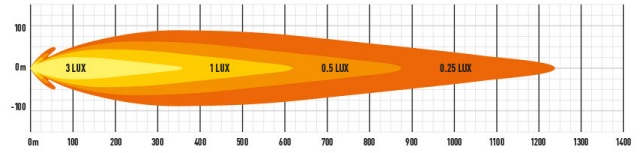
The Sentinel range of round LED driving lights now comprises 7-inch versions available in Standard and Elite grades. The lights deliver remarkable high beam lighting performance, and product styling that exudes quality. Boasting a true 'combo' beam pattern, the central rows of LEDs and optics deliver the long-range illumination, while the upper and lower sections have been meticulously designed and engineered to produce an enviable 65 degrees wide spread of light.



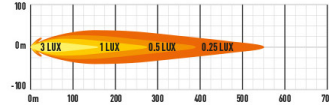
SENTINEL 7" ELITE

- Combination of 24 premium 'bin' LEDs
- Stealth black internal appearance
- 5000K LED colour temperature and 80CRI maximises sharpness and definition
- Integrated white and amber position light function (Elite only)
- Ultra-reflective vacuum-metallised spot and wide optics
- UNECE Reg 148 Class B Driving Light, approved for on-road high beam (E-Boost technology) and Reg 149 position/side light function (white only)
- Contemporary lamp design
- Supplied with 'slim' diecast aluminium mounting bracket featuring Sentinel stamp
- Electronic thermal management system optimises light output to preserve longevity of the LEDs
- Anodised pre-treatment and automotive grade powder top-coat for ultimate corrosion and chemical protection
- CAE optimised heatsink offers improved thermal dynamics
- Over voltage protected
- Reverse polarity protected
- 'Unbreakable' polycarbonate lens with hardcoat lacquer
- A2 stainless steel fasteners with automotive grade black coating
- UNECE approved Reg 10
- IP68 watertight – 1.5m submersion (30mins)
- 5-year warranty
- Supplied with pre-wired male/female Superseal connectors
- Designed & manufactured in UK

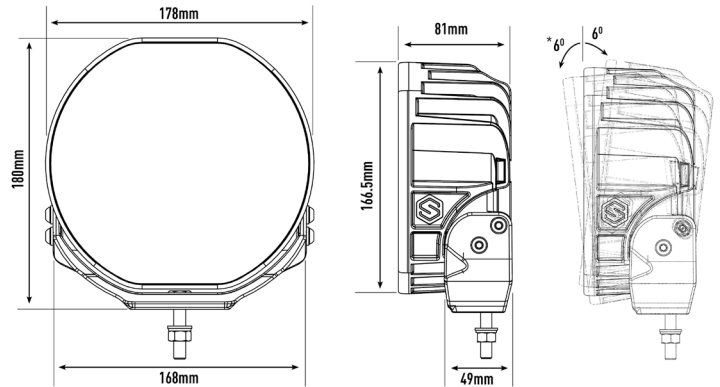
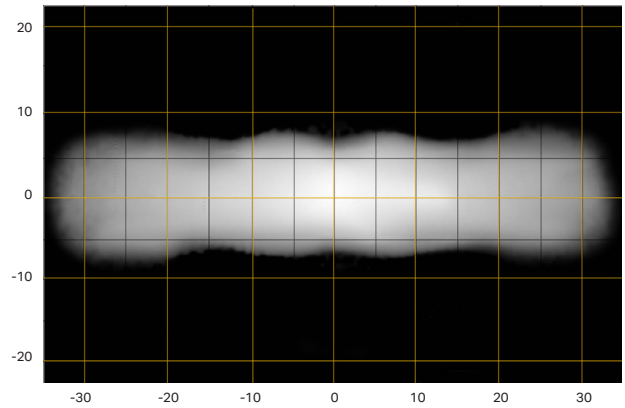
SENTINEL 7" ELITE (E-BOOST MODE)



SENTINEL 7" ELITE (E-MARK MODE)



Horizontal: 65° / Vertical: 18° (2% of peak)



Lamp suitable for horizontal or vertical mounting positions

E-MARK REF	12.5
VOLTAGE RANGE	10V - 32V
RAW LUMENS	10,248
BEAM PATTERN	Combo
BEAM DISTANCE (0.25LX)	1233m
# HIGH POWER LEDs	24
POWER CONSUMPTION	110 Watts
CURRENT DRAW†	7.6 Amps
LED LIFE	50,000 Hrs*
WEIGHT	1500g



* LED Manufacturers Specifications †At 14.4 Volts

T +44 (0) 1992 677374
E sales@lazerlamps.com

Lazer Lamps Ltd, Units 1-2, Harlow Mill Business Centre,
Riverway, Harlow, Essex CM20 2FD, United Kingdom

