

SENTINEL 9" STANDARD



The Sentinel Black and Chrome lamps in the 'Standard' range deliver identical high-performance illumination, outputting 9,529 raw lumens with 1 lux reaching over 700m. A 52° horizontal beam angle ensures outstanding visibility for road and off-road use, while the 5000K color temperature enhances clarity without eye strain.

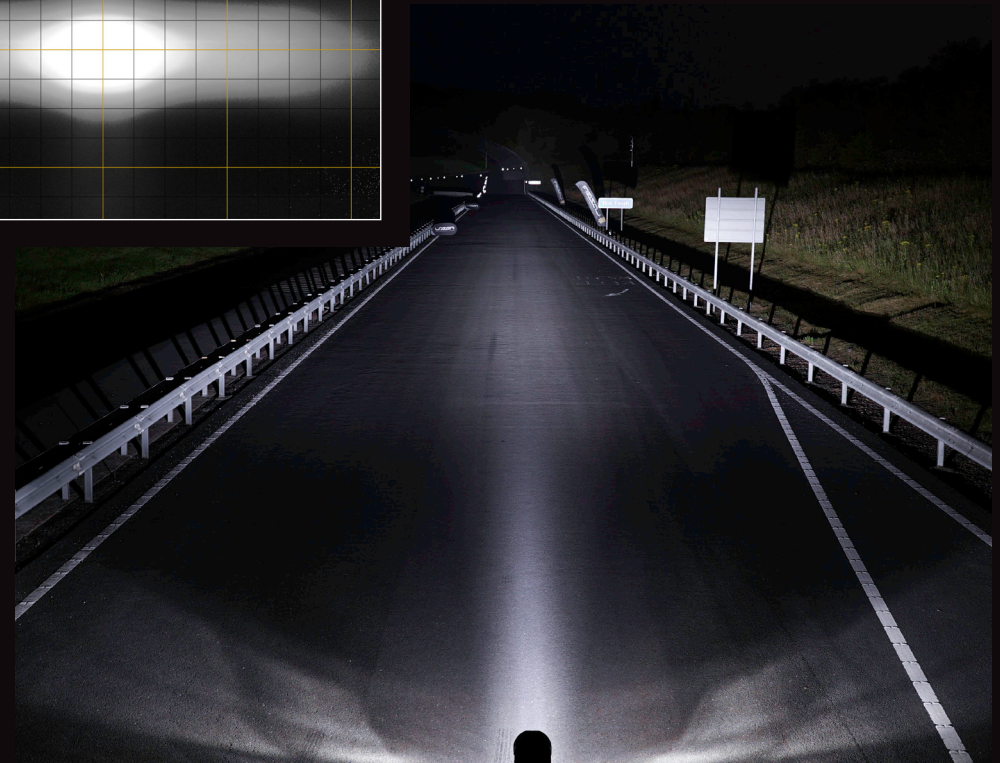
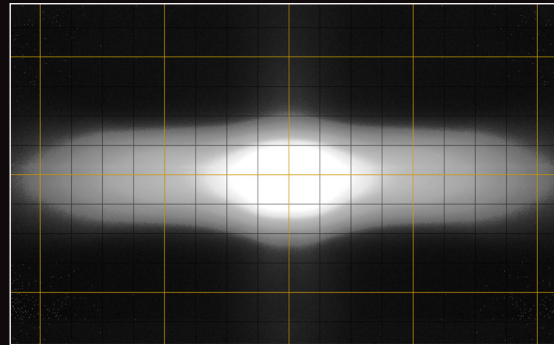
Certified to UNECE Regulation 112, the lamps feature Lazer's E-Boost technology, allowing full power beyond ECE limits, with the Boost Cap enabling compliance when removed.

The Black variant's stealth styling features black PCBs and a hexagonal bezel, adding a modern, aggressive touch. White or amber position/side lights enhance its distinct look, with the white version UNECE Regulation 7 approved.

Each lamp includes a slim diecast aluminum bracket, powder-coated for durability. Optional wide brackets, lens covers, stay bars, and anti-theft fasteners allow for customized installation.



BEAM DISTRIBUTION (HORIZONTAL: 52° / VERTICAL: 11°)



BEAM PATTERN (BOOST MODE)



KEY FEATURES

- Combination of 32 premium 'bin' LEDs.
- Black PCB and bezel detail result in stealth black internal appearance.
- 5000K LED colour temperature and 80CRI maximises sharpness and definition.
- Ultra-reflective vacuum-metallised spot and wide optics.
- Integrated white (UNECE Reg 148 approved) or amber position light function.
- Flash-to-dim functionality for avoiding glare from road signs (for example) – High and Low output modes.
- ECE Reg 149 approved for on-road high beam (Low output mode only).
- Dynamic start-up / Welcome Mode – two options activated as/if required.
- Contemporary lamp design.
- Supplied with 'slim' diecast aluminium mounting bracket featuring Sentinel stamp.
- Electronic thermal management system optimises light output to preserve longevity of the LEDs.
- Anodised pre-treatment and automotive grade powder top-coat for ultimate corrosion and chemical protection
- CAE optimised heatsink offers improved thermal dynamics
- Over voltage protected
- Reverse polarity protected
- 'Unbreakable' polycarbonate lens with hardcoat lacquer
- A2 stainless steel fasteners with automotive grade black coating
- Supplied with Lazer branded black lens cover
- Supplied with pre-wired male/female 3-pin Superseal connectors
- Designed & manufactured in UK

CERTIFICATION

SCAN THE QR CODE TO DOWNLOAD THE ECE CERTIFICATES.

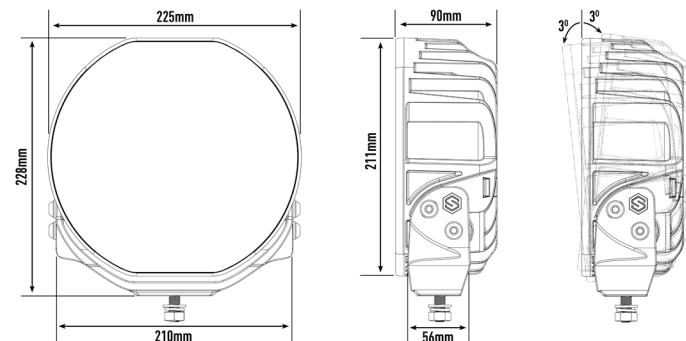


HIGH BEAM (LOW OUTPUT ONLY)	ECE REG 112 (REF 20)
POSITION LIGHT (WHITE ONLY)	ECE REG 148
EMC CERTIFICATION	ECE REG 10
IP RATING	IP68

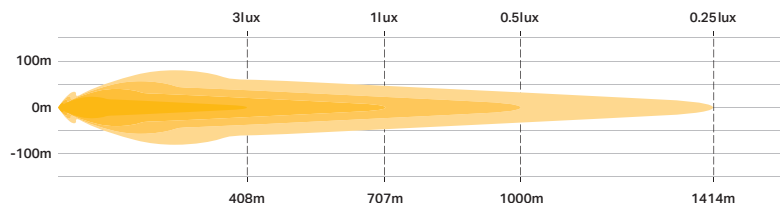
SPECIFICATIONS | BOOST MODE

WEIGHT	2.5 KG
VOLTAGE RANGE	10V-32V
RAW LUMENS	9,520
TOTAL DRIVER 'FOV' FLUX	5,588
COLOUR TEMPERATURE	5000K
POWER CONSUMPTION	87 WATTS
PEAK CURRENT DRAW	7.7 AMPS
CURRENT DRAW (14.4V)	6 AMPS
CONNECTOR	3-PIN SUPERSEAL (+25CM CABLE)

DIMENSIONS



PHOTOMETRICS



LOW OUTPUT / E-MARK MODE

