

## ALSO AVAILABLE



**FORD RANGER 2019+**  
GRILLE INTEGRATION KIT



**FORD TRANSIT 2019+**  
GRILLE INTEGRATION KIT



**FORD TRANSIT CUSTOM 2018+**  
GRILLE INTEGRATION KIT



**FORD TRANSIT COURIER 2014+**  
GRILLE INTEGRATION KIT



**FORD RAPTOR**  
LOWER GRILLE MOUNTING KIT



**FORD RANGER / RAPTOR**  
ROOF MOUNTING KITS



**CLIP-ON LENSES**  
AMBER AND REEDED LENSES



**CAN INTERFACE**  
PLUS CONTACTLESS READER

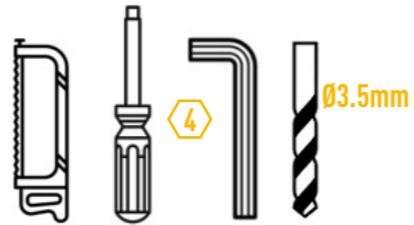
## WHAT'S INCLUDED

- 2x Grille Mounting Brackets
- 2x Cutter Guides
- Fitting Instructions

### Additionally - Kit Includes:

- 1x High Performance LED Spotlights (Linear-18)
- 1x Two-Lamp Wiring Kit

## TOOLS REQUIRED



## SIDE MOUNTING INFORMATION



# LAZER

HIGH PERFORMANCE LIGHTING



## FORD TRANSIT CONNECT (2018+)

### GRILLE INTEGRATION KIT

## FITTING INSTRUCTIONS

# LAZER

HIGH PERFORMANCE LIGHTING

[WWW.LAZERLAMPS.COM](http://WWW.LAZERLAMPS.COM)

+44 (0)1992 677374  
[sales@lazerlamps.com](mailto:sales@lazerlamps.com)

Lazer Lamps Ltd, Units 1&2 Harlow Mill Business Centre,  
Riverway, Harlow, Essex. CM20 2FD. United Kingdom

MADE IN THE UK /LAZERLAMPS /LAZERLAMPS

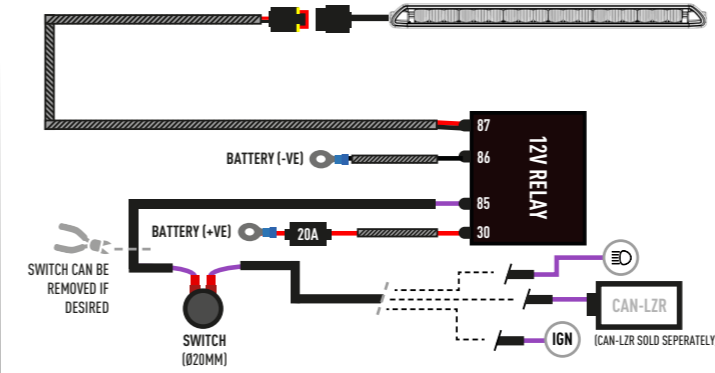
## INSTALLATION PROCESS

Install should be completed with the grille left on the vehicle.

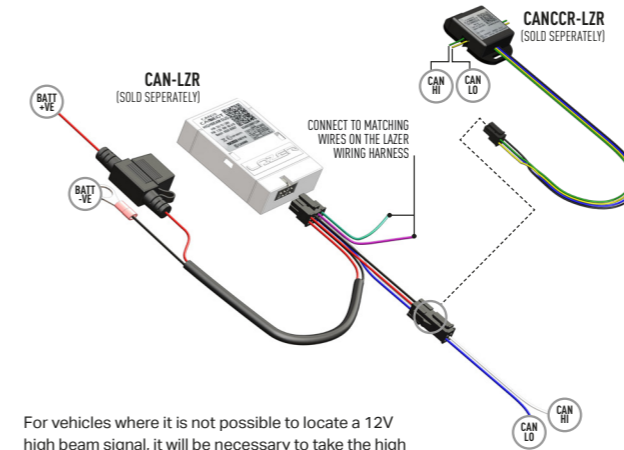


## ELECTRICAL CONNECTION

LINEAR-18 (STANDARD OR ELITE)



## CANBUS INTEGRATION



For vehicles where it is not possible to locate a 12V high beam signal, it will be necessary to take the high beam signal from the vehicle's CAN system. For vehicle specific CAN instructions, please download the "CANM8 Connect" App.

