

LAZER

H I G H P E R F O R M A N C E L I G H T I N G



BOOMER SINGLE FOR CARBON-6 (GEN3)

FITTING INSTRUCTIONS

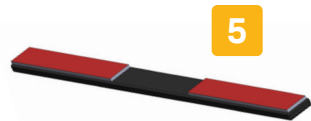
WHAT'S INCLUDED

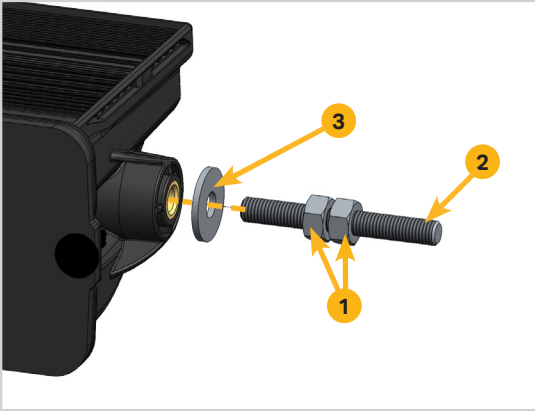
PARTS

- 1: ROD END (X8)
- 2: DZUS BASE (X4)
- 3: DZUS CONNECTOR (X4)
- 4: DZUS CONNECTOR PIN (X4)
- 5: CONNECTOR - LOWER (X1)
- 6: CONNECTOR - UPPER (X1)

FIXTURES

- 1x VHB CLEANING SACHE
- 1x M6 X 50 STUD
- 2x M6 X 70 STUD
- 2x M6 X 120 STUD
- 6x M6 X 20 BOLT
- 4x M6 NYLOC NUT
- 8x M3 X 8 CSK SCREW
- 8x M3 NYLOC NUT
- 4x M4 X 15 WASHER
- 4x M4 NYLOC NUT
- 4x M4 X 20 SCREW
- 10x M6 HEX NUT
- 4x M6 X 20 WASHER
- 4x M6 X 12 WASHER



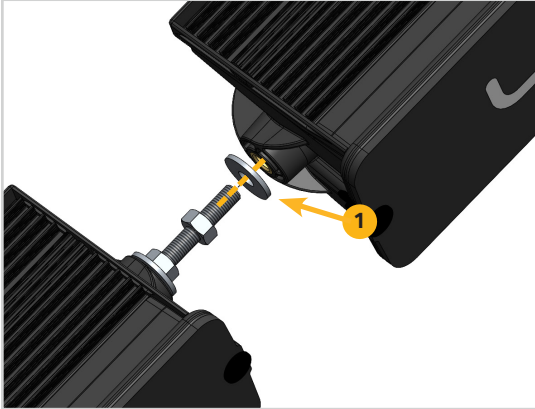


STEP 1.

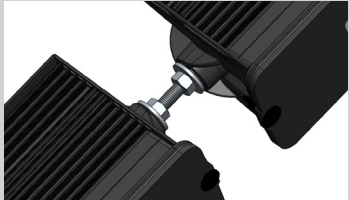


PARTS

- 1: M6 NUT
- 2: M6 X 50 STUD
- 3: M6 X 20 WASHER

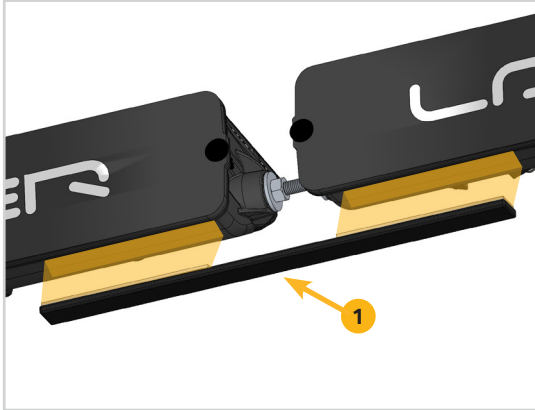


STEP 2.

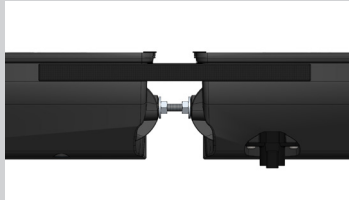


PARTS

- 1: M6 X 20 WASHER

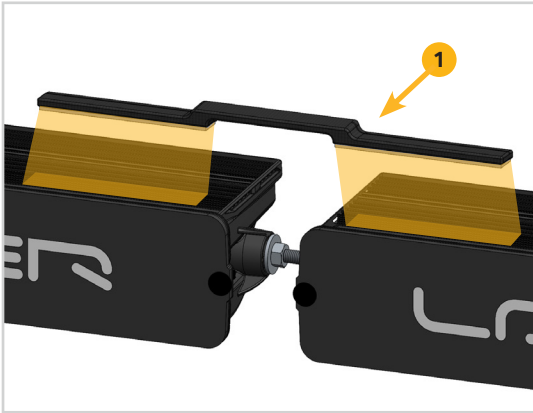
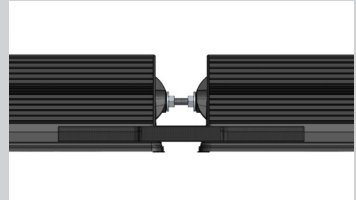


STEP 3.

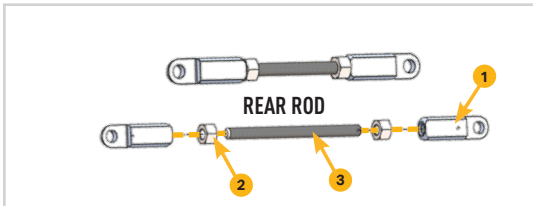


PARTS

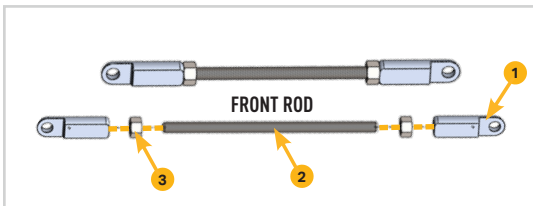
- 1: CONNECTOR - LOWER
(Remove red backing tape)

**STEP 4.****PARTS**

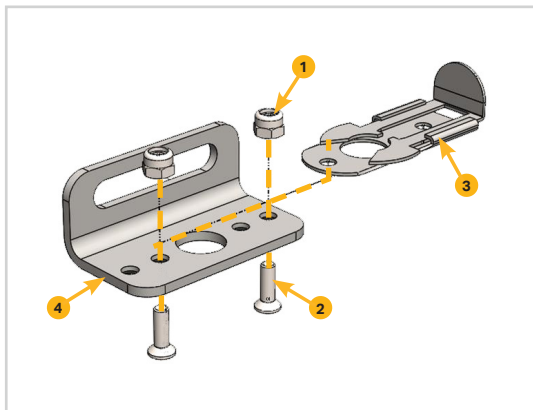
- 1:** CONNECTOR - UPPER
(Remove red backing tape)

**STEP 5.****PARTS**

- 1:** ROD END
2: M6 NUT
3: M6 X 70 STUD

**STEP 6.****PARTS**

- 1:** ROD END
2: M6 X 120 STUD
3: M6 NUT

**STEP 7.****PARTS**

- 1:** M3 NYLOC NUT
2: M3 X 8 CSK SCREW
3: DZUS CONNECTOR
4: DZUS BASE





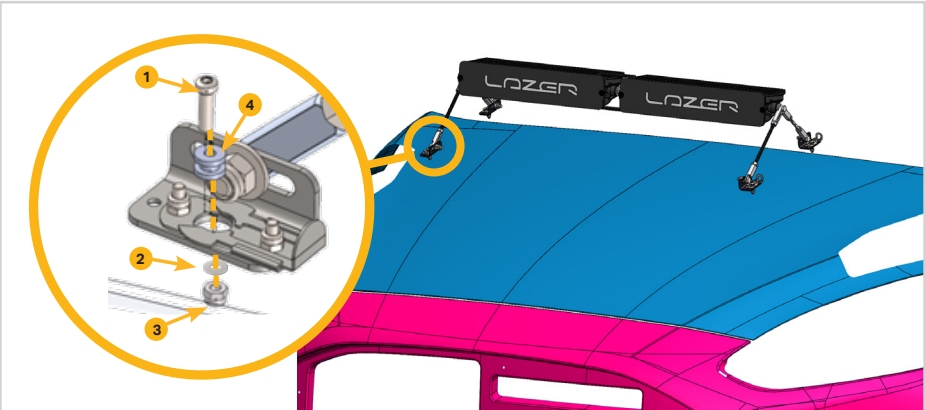
STEP 8.

PARTS

- 1: M6 X 12 WASHER
- 2: M6 X 20 HEX BOLT
- 3: M6 NYLOC NUT
- 4: M6 PENNY WASHER



STEP 9.



STEP 10.

PARTS

- 1: M4 X 20 SCREW
- 2: M4 WASHER
- 3: M4 NYLOC NUT
- 4: DZUS CONNECTOR PIN



LAZER
HIGH PERFORMANCE LIGHTING

WWW.LAZERLAMPS.COM

+44 (0)1992 677374
sales@lazerlamps.com

Lazer Lamps Ltd, Units 1&2 Harlow Mill Business Centre,
Riverway, Harlow, Essex. CM20 2FD. United Kingdom



MADE IN THE UK



[/LAZERLAMPS](https://www.facebook.com/LAZERLAMPS)



[/LAZERLAMPS](https://www.instagram.com/LAZERLAMPS)