

## ALSO AVAILABLE



**TOYOTA HILUX (2021+)**  
GRILLE INTEGRATION KIT



**TOYOTA LC300 (2022+)**  
GRILLE INTEGRATION KIT



**TOYOTA LC200 (2015-2021)**  
GRILLE INTEGRATION KIT



**TOYOTA LC70 (2007-2023)**  
GRILLE INTEGRATION KIT



**TOYOTA RAV4 HYBRID (2019+)**  
GRILLE INTEGRATION KIT



**TOYOTA HILUX (2015+)**  
ROOF MOUNTING KIT



**CLIP-ON LENSES**  
AMBER AND REEDED LENSES



**CAN INTERFACE**  
PLUS CONTACTLESS READER

## WHAT'S INCLUDED

- 4x Grille Mounting Brackets
- 4x Cutter Guides
- Anti-Theft Fasteners & Key
- Fitting Instructions

Additionally - Kit Includes:

- 2x High Performance LED Lights (ST4)
- 1x Two-Lamp Wiring Kit

## TOOLS REQUIRED



## SIDE MOUNTING INFORMATION

LAZER RECOMMENDS: LOCTITE 222



**LAZER**  
HIGH PERFORMANCE LIGHTING

[WWW.LAZERLAMPS.COM](http://WWW.LAZERLAMPS.COM)

+44 (0)1992 677374  
[sales@lazerlamps.com](mailto:sales@lazerlamps.com)

Lazer Lamps Ltd, Calder House, Central Road  
Harlow, Essex, CM20 2ST. United Kingdom



MADE IN THE UK



/LAZERLAMPS



/LAZERLAMPS

**LAZER**  
HIGH PERFORMANCE LIGHTING

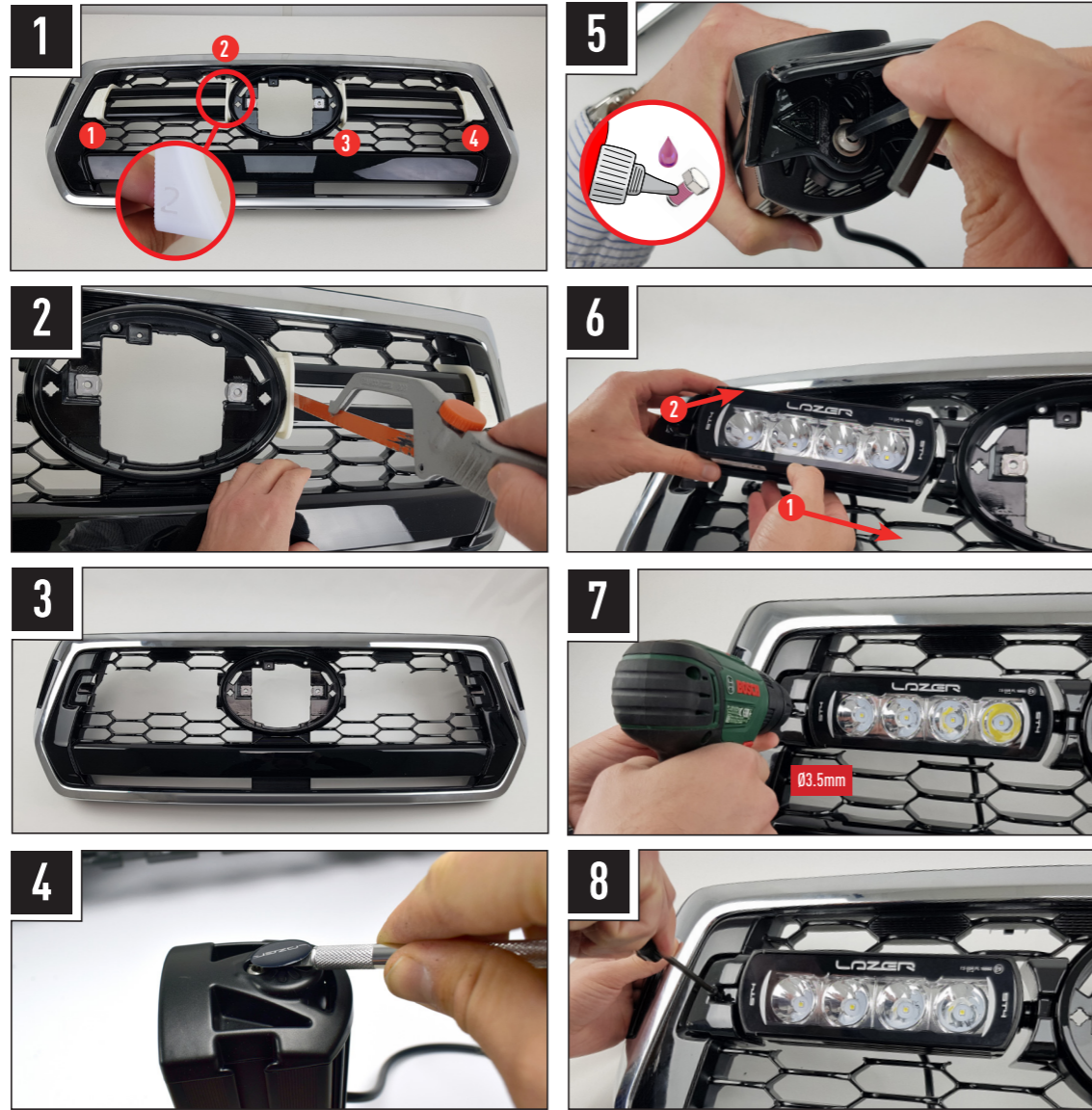


**TOYOTA HILUX**  
**INVINCIBLE-X (2017-2020)**  
GRILLE INTEGRATION KIT

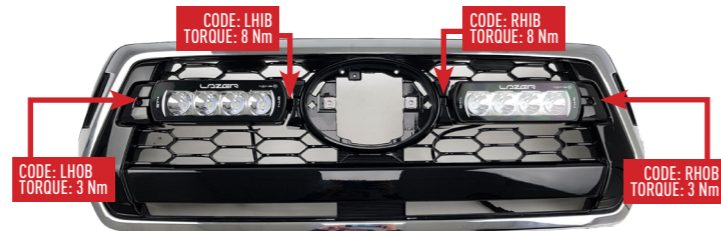
**FITTING INSTRUCTIONS**

## INSTALLATION PROCESS

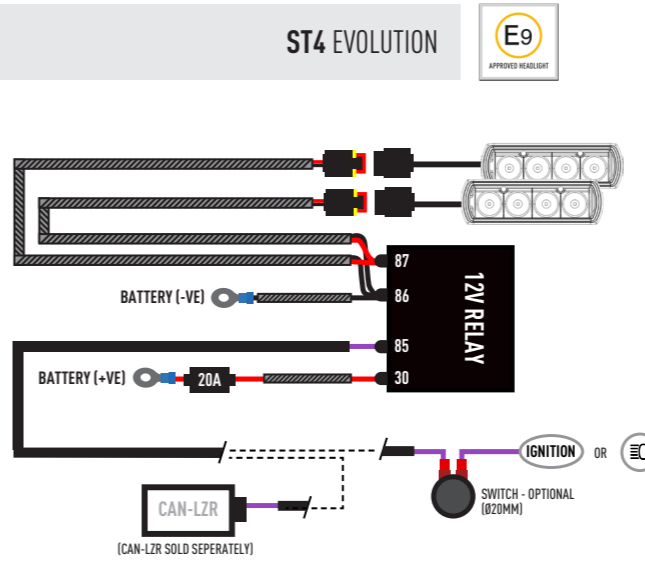
Install should be completed with the grille left on the vehicle.



## TORQUE VALUES



## ELECTRICAL CONNECTION



## CANBUS INTEGRATION

For vehicles where it is not possible to locate a 12V high beam signal, it will be necessary to take the high beam signal from the vehicle's CAN system. For vehicle specific CAN instructions, please download the "CANM8 Connect" App.

