

TRIPLE-R 1000 ELITE

WITH INTELLIGENT LOW BEAM ASSIST

A world first, utilising patent-pending technology, the Triple-R 1000 Elite with Intelligent Low Beam Assist redefines the performance and functionality of auxiliary LED driving lights. A combination of the latest high-efficiency LEDs delivers a finely-tuned beam pattern, optimised for road use, that is simply unrivalled considering the lamps size. Additionally, through the adoption of 4 photoelectric sensors embedded within the driving light, when the high beam light is turned off the lamp enters a Low Beam Assist mode, which maintains additional levels of illumination in zones where there is confirmed no oncoming vehicles or obstacles.



VEHICLE LOW BEAM



LOW BEAM WITH TRIPLE-R 1000 ELITE INTELLIGENT LOW BEAM ASSIST



LOW BEAM WITH TRIPLE-R 1000 ELITE INTELLIGENT LOW BEAM ASSIST
Responding to oncoming road traffic



TRIPLE-R 1000 ELITE I-LBA HIGH BEAM



SEE MORE. **GO FASTER.** GO SAFER.

TRIPLE-R 1000 ELITE WITH INTELLIGENT LOW BEAM ASSIST

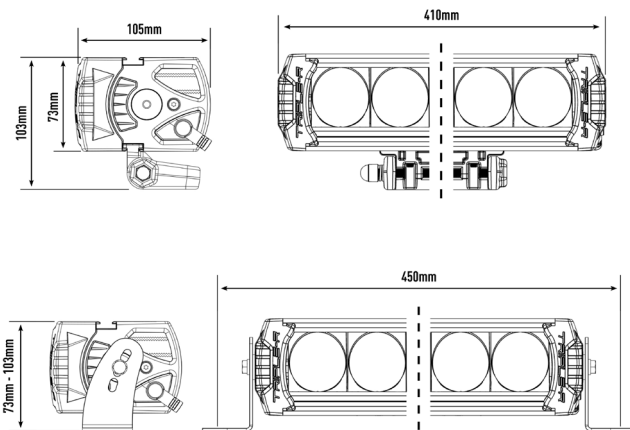
- Combination of 26 high efficiency LEDs
- Low Beam Assist mode provides responsive short/mid-range visibility
- Photoelectric sensors detect oncoming traffic and obstacles
- Perfectly tuned beam pattern for everyday road use
- ECE approved to Reg 112 (E-Boost Technology)
- 5000K colour temperature
- Wiring harness kit included
- 'Unbreakable' polycarbonate lens with hardcoat

MOUNTING OPTIONS

CENTRE MOUNT



SIDE MOUNT - Sold separately

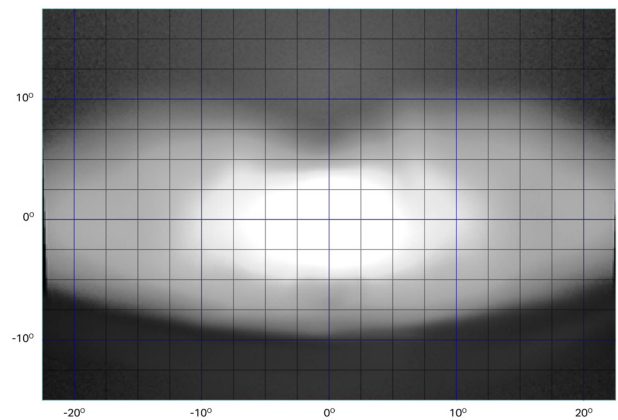


E-MARK REF	30
VOLTAGE RANGE	10V - 32V
RAW LUMENS	11,068
BEAM PATTERN	Spot
BEAM DISTANCE (0.25LX)	1362
# HIGH POWER LEDS	26
POWER CONSUMPTION	131 Watts
CURRENT DRAW*	9 Amps
LED LIFE	50,000 Hrs*
WEIGHT	1700g



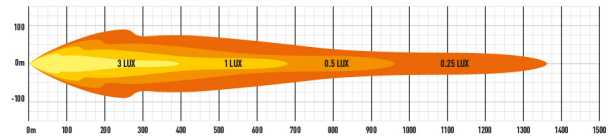
* LED Manufacturers Specifications †At 14.4 Volts

Horizontal: 56° / Vertical: 17° (2% of peak)



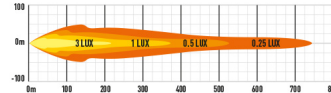
TRIPLE-R 1000 ELITE WITH i-LBA (E-BOOST MODE)

Generated from BSI lamp photometric test data: on road measurement data



TRIPLE-R 1000 ELITE WITH i-LBA (E-MARK COMPLIANT MODE)

Generated from BSI lamp photometric test data: on road measurement data



LAZER LAMPS LTD, Units 1+2, Harlow Mill Business Centre, Riverway, Harlow, Essex. CM20 2FD. UK
Tel: +44(0)1992 677374 | Email: sales@lazerlamps.com | Web: www.lazerlamps.com

