

TRIPLE-R 1000 BEACON

The iconic Triple-R 1000, a firm favourite amongst the heavy truck and LCV sectors, is now offered with integrated amber flashing beacon function. Incorporating 16 different forward-facing flash patterns, the additional safety functionality within the lamp, combines with the possibility to connect a white or amber position/side light function, as well as the exceptional high beam driving light function to really set the Triple-R 1000 apart from the competition.



100m 200m

SEE MORE. **GO FASTER.** GO SAFER.

TRIPLE-R 1000 BEACON

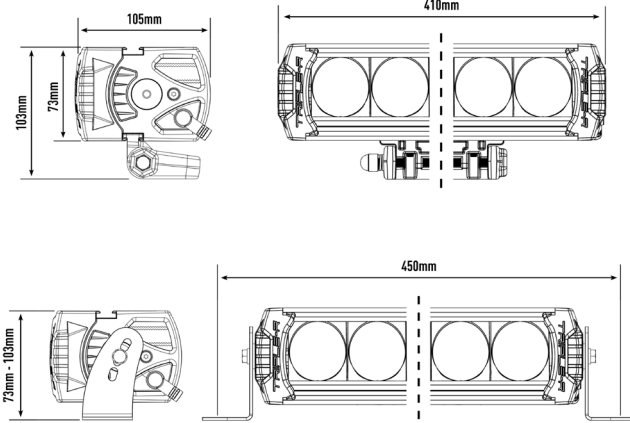
- Ultra long-range optics optimised for road and race applications
- High intensity LED's deliver exceptional luminosity and left/right spread
- Component technology shared with WRC lighting solutions
- CAE optimised heatsink
- Electronic thermal management
- 'Unbreakable' polycarbonate lens with hardcoat
- Integrated amber or white position lights (White: Reg7)
- Integrated flashing beacon function (Reg65)

MOUNTING OPTIONS

CENTRE MOUNT



SIDE MOUNT - Sold separately

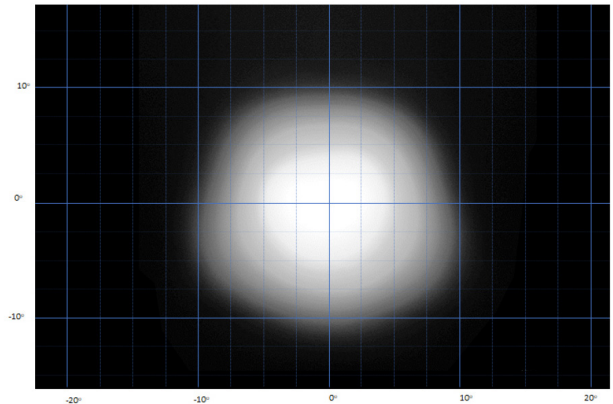


E-MARK REF	12.5
VOLTAGE RANGE	10V - 32V
RAW LUMENS	9,240
BEAM PATTERN	Spot
BEAM DISTANCE (0.25LX)	1225
# HIGH POWER LEDS	8
POWER CONSUMPTION	88 Watts
CURRENT DRAW†	6.1 Amps
LED LIFE	50,000 Hrs*
WEIGHT	1700g



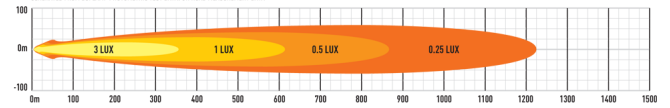
* LED Manufacturers Specifications †At 14.4 Volts

Horizontal: 19.2° / Vertical: 18° (2% of peak)



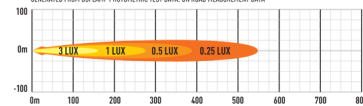
TRIPLE-R 1000 (GEN 2)

GENERATED FROM BIS LAMP PHOTOMETRIC TEST DATA - ON ROAD MEASUREMENT DATA



TRIPLE-R 1000 (GEN 2) - E-MARK COMPLIANT MODE

GENERATED FROM BIS LAMP PHOTOMETRIC TEST DATA - ON ROAD MEASUREMENT DATA



LAZER LAMPS LTD, Units 1+2, Harlow Mill Business Centre, Riverway, Harlow, Essex. CM20 2FD. UK
Tel: +44(0)1992 677374 | Email: sales@lazerlamps.com | Web: www.lazerlamps.com

