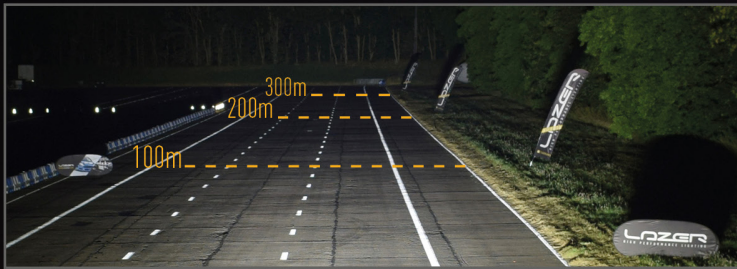


T24

Our biggest unit in the updated T-range, the new T28 Evolution measures 46" in length and the performance more than matches its imposing size. With an unequalled all-round distribution of light, both in respect of long-range visibility combined with an incredible left/right spread, the T28 sets a new standard in off-road lighting that needs to be seen to be believed. When not in use, the lamp is no less eye-catching, with contemporary styling ensuring the lamp's design enhances the appearance of your vehicle.



1m



SEE MORE. **GO FASTER.** GO SAFER.

T28 EVOLUTION

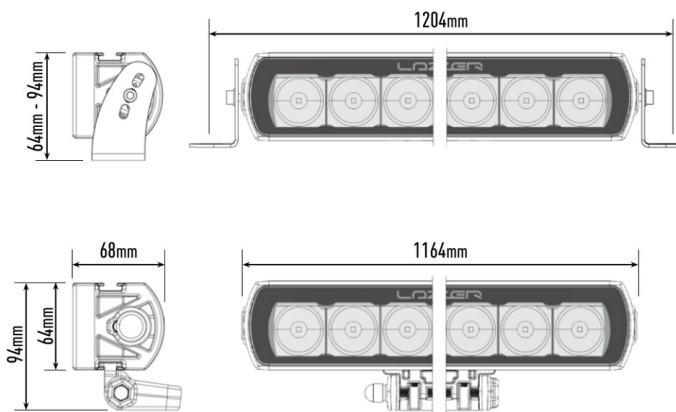
- 28x high density 11W LEDs (premium 'bin')
- Seamless, low profile design facilitates installation
- Dynamic drive modulation optimises light output to maximise LED lifetime
- Ultra-reflective optics deliver 'Drive' beam pattern
- E-coat pre-treatment provides maximum corrosion resistance
- Lifetime guarantee on the 'Unbreakable' polycarbonate lens

MOUNTING OPTIONS

CENTRE MOUNT - Sold seperately



SIDE MOUNT - Sold seperately

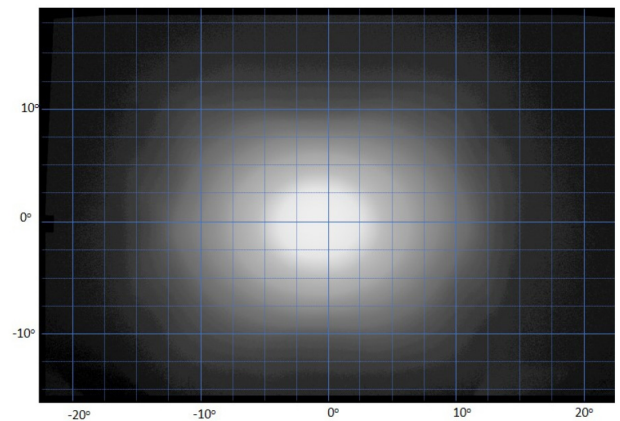


E-MARK REF	N/A
VOLTAGE RANGE	10V - 32V
RAW LUMENS	28952
BEAM PATTERN	Drive
BEAM DISTANCE (0.25LX)	1470m
# HIGH POWER LEDS	28
POWER CONSUMPTION	278 Watts
CURRENT DRAW†	19.3 Amps
LED LIFE	50,000 Hrs*
WEIGHT	3590g

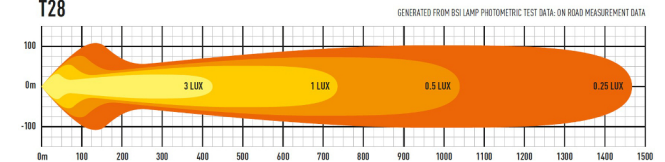


* LED Manufacturers Specifications †At 14.4 Volts

Horizontal: 28°



T28



LAZER LAMPS LTD, Units 1+2, Harlow Mill Business Centre, Riverway, Harlow, Essex. CM20 2FD. UK
Tel: +44(0)1992 677374 | Email: sales@lazerlamps.com | Web: www.lazerlamps.com

