

ALSO AVAILABLE



ISUZU D-MAX ROOF MOUNTING KITS



ISUZU D-MAX 2021+ GRILLE KIT



ISUZU D-MAX 2017+
LOWER GRILLE MOUNTING KIT



ISUZU D-MAX 2017+
SPORTS BAR MOUNTING KIT



NEOPRENE COVERS



WIRING KITS AND
CANBUS SYSTEMS

WHAT'S REQUIRED

- 2x Linear-6 (Standard / Elite)
- 1x Two Lamp Harness Kit
- 1x Isuzu D-Max (2020+) – Mounting Kit (For Linear-6)

DIFFICULTY LEVEL



TOOLS REQUIRED



DRILL BIT
6MM



WIRE CUTTERS



WIRE STRIPPERS
AND RATCHET CRIMPERS



ALLEN KEY SET



METRIC
SOCKET SET



PLASTIC
TRIM TOOLS

LAZER
HIGH PERFORMANCE LIGHTING

WWW.LAZERLAMPS.COM

+44 (0)1992 677374
sales@lazerlamps.com

Lazer Lamps Ltd, Calder House, Central Road,
Harlow, Essex, CM20 2ST, UK

 MADE IN THE UK  /LAZERLAMPS  /LAZERLAMPS

LAZER
HIGH PERFORMANCE LIGHTING

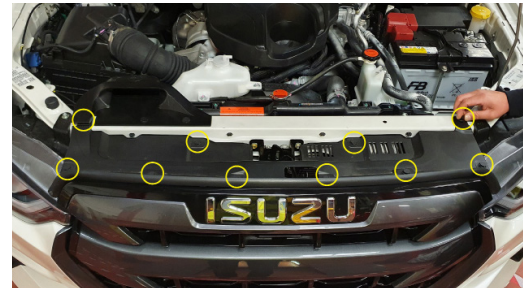


ISUZU D-MAX (2020+)
LINEAR-6 GRILLE MOUNTING KIT

FITTING INSTRUCTIONS

INSTALLATION PROCESS

Ensure battery is disconnected.



STEP 1
Remove the 10 plastic retaining rivets that hold the slam panel cover in place.



STEP 2
Remove slam panel cover and set to one side.



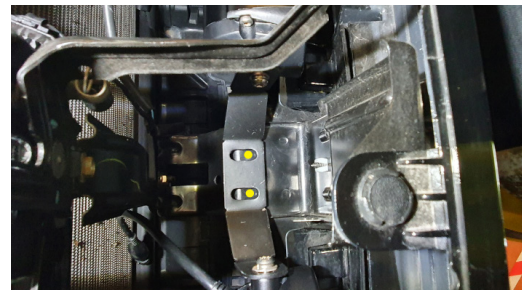
STEP 3
Assemble Lamps to the 'u' shaped bracket as shown using the supplied fixings.



STEP 4
Fix the outboard side brackets to the Lamps.



STEP 5
Carefully insert the lamp assembly into position behind the centre grille.



STEP 6
The centre bracket should sit on top of the metal support located below the bonnet catch.

Mark the drill locations.



STEP 7
Drill x2 6mm holes and secure the centre bracket to the metal support with the included fasteners.



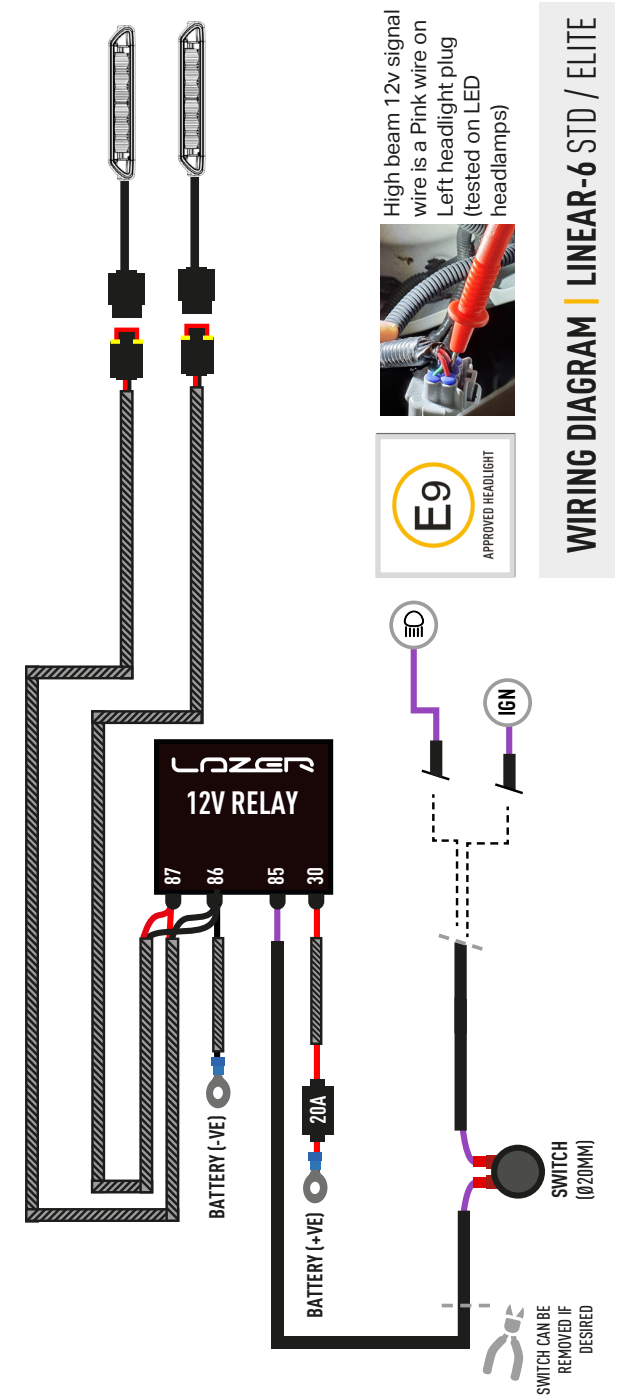
STEP 8
Mark out where the end brackets need to be drilled and drill a 6mm hole.



STEP 9
Place the included 5mm spacer between the bracket and the grille to level the lamp and secure with included fasteners.



STEP 10
Carefully insert the lamp assembly into position behind the centre grille.



WIRING DIAGRAM | LINEAR-6 STD / ELITE